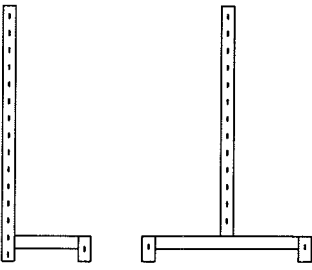

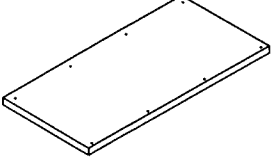
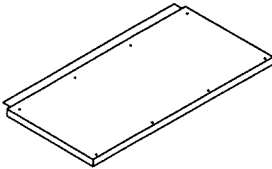
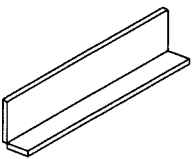
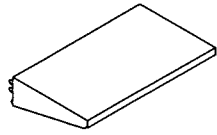
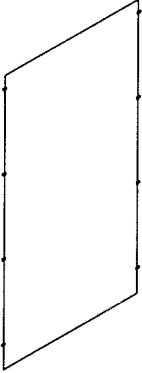
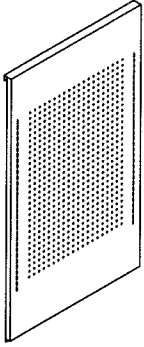
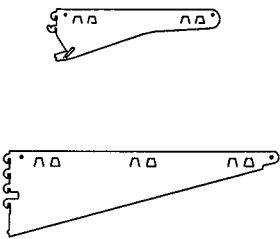
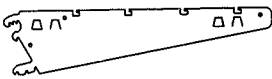
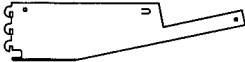

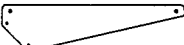
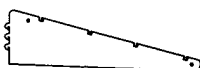
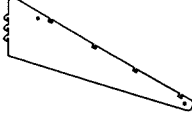
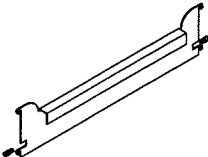
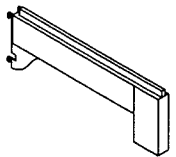
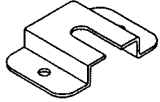
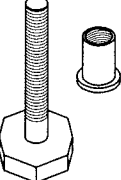
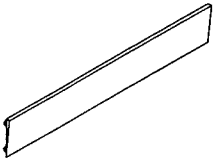
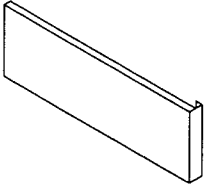
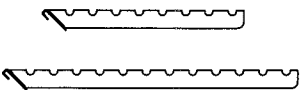
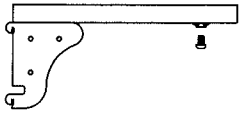
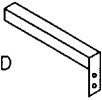
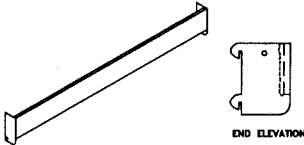
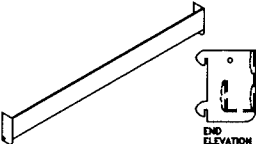
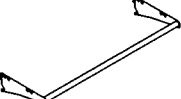
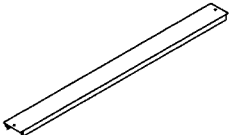
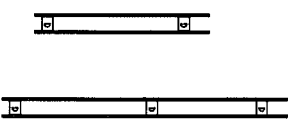
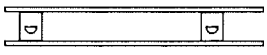
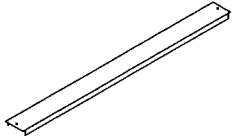


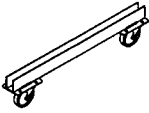
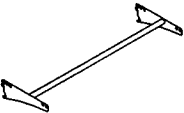
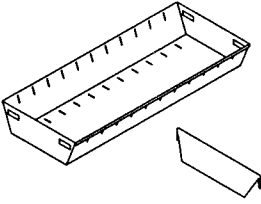
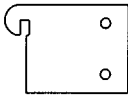
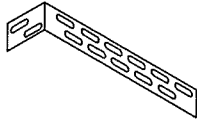
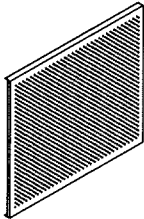

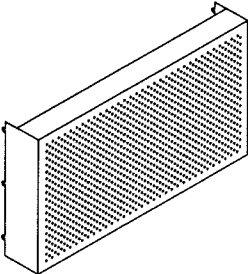
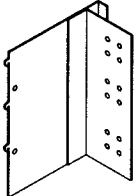
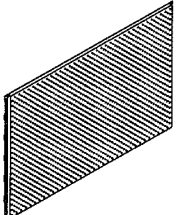


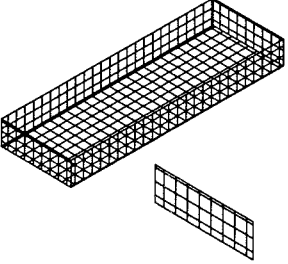
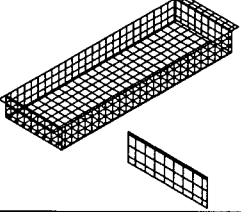
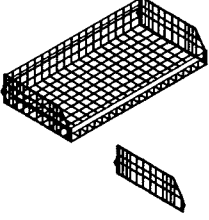
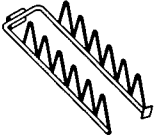
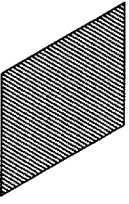
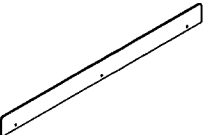
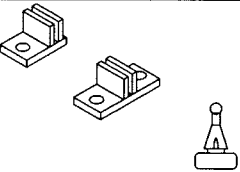

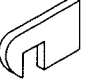
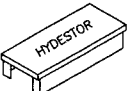
	DESCRIPTION	DIMENSIONS	SINGLE FACED	DOUBLE FACED
	DISPLAY UPRIGHT SINGLE OR DOUBLE FACED	1350mm x 375mm 1350mm x 450mm 1600mm x 375mm 1600mm x 450mm 1800mm x 375mm 1800mm x 450mm 1800mm x 600mm 2100mm x 450mm 2300mm x 450mm 2300mm x 600mm	413150 413152 413170 413172 - 8 413280 413282 413300 413302 413330 413332 413350 413352 413400 413402 413400 413402 413670 413672 413740 413742 - 8	414150 414152 414170 414172 - 8 414280 414282 414300 414302 414330 414332 414350 414352 414400 414402 414400 414402 414670 414672 414740 414742 - 8
	DISPLAY DUAL SLOTTED WALL CHANNEL	1150mm 1800mm 2300mm	417060 417062 417120 417122 417160 417162	417128 417168
			900mm	915mm
	DISPLAY SHELF PUNCHED TOP/FRONT	900mm x 225mm 900mm x 300mm 900mm x 375mm 900mm x 375mm HEAVY DUTY 900mm x 450mm 900mm x 450mm HEAVY DUTY 900mm x 600mm HEAVY DUTY	420020 420022 420060 420062 420100 420102 420140 420142 420180 420182 420220 420222 420300 420302	420700 420702 - 8 420740 420742 - 8 420780 420782 - 8 420820 420822 - 8 420860 420862 - 8 420900 420902 - 8
	DISPLAY SHELF PUNCHED TOP/FRONT (35mm SPACER)	900mm x 225mm 900mm x 300mm 900mm x 375mm 900mm x 375mm HEAVY DUTY 900mm x 450mm 900mm x 450mm HEAVY DUTY 900mm x 600mm HEAVY DUTY	420040 420042 420080 420082 420120 420122 420160 420162 420200 420202 420240 420242 420320 420322	420720 420722 - 8 420760 420762 - 8 420800 420802 - 8 420840 420842 - 8 420880 420882 420920 420922 - 8
	PAPER BACK SHELF	585mm x 115mm UTB 890mm x 15mm UTB 900mm x 115mm UTB	421770 421772	421730 421750
	DISPLAY END SHELF	800mm x 225mm 800mm x 300mm 950mm x 225mm	421550 421552 421570 421572 421590 421592	

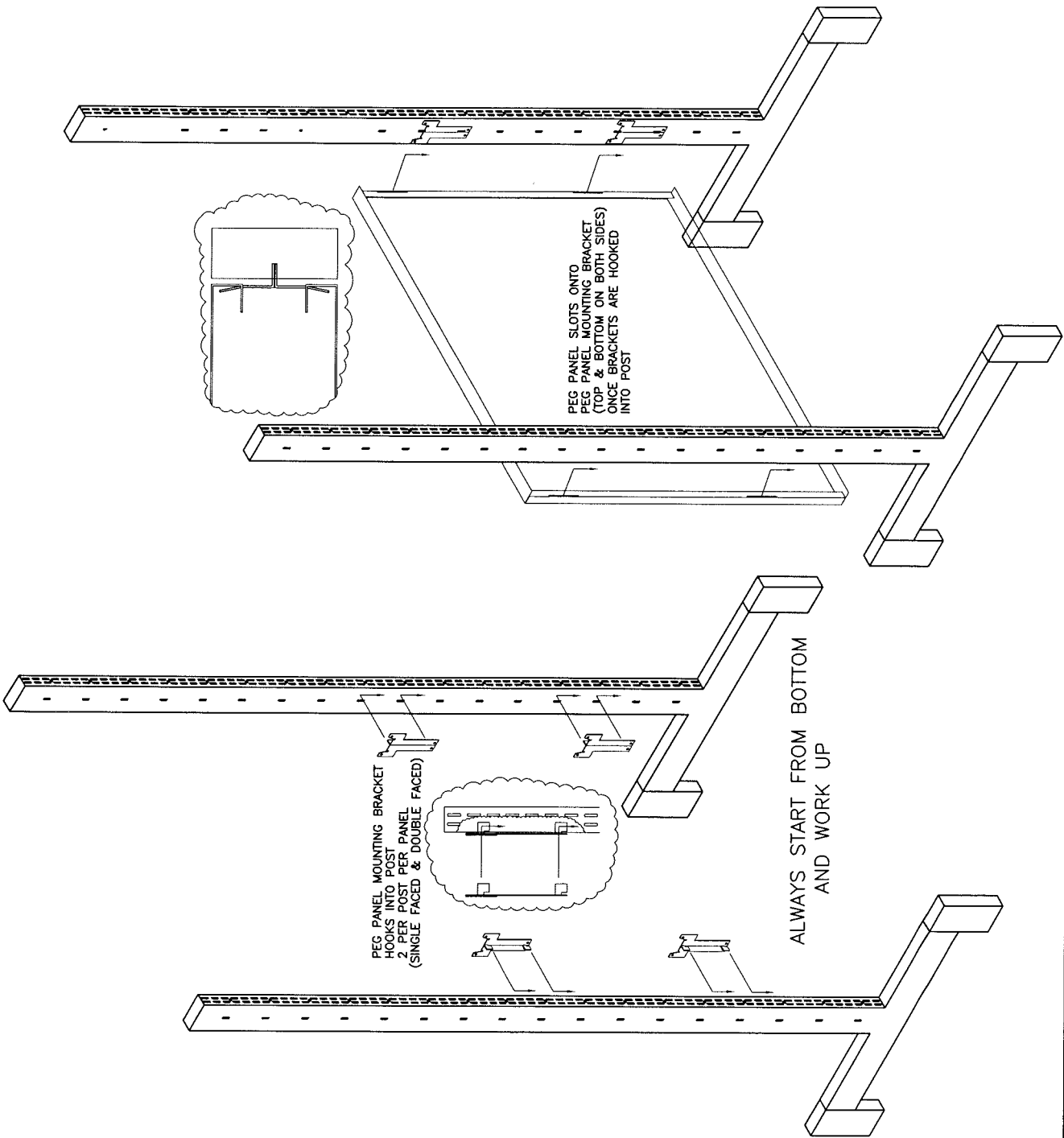
	DESCRIPTION	DIMENSIONS	SINGLE FACED	DOUBLE FACED
	BACK PANELS PLAIN STEEL	1350mm x 600mm 1350mm x 900mm 1600mm x 600mm 1600mm x 900mm 1800mm x 600mm 1800mm x 900mm 2100mm x 900mm 2300mm x 900mm	430060 430062 - 8 430080 430082 430120 430122 430140 430142 430180 430182 430200 430202 430320 430322	 430100 430102 - 8 430160 430162 - 8 430220 430222 - 8 430280 430282 - 8 430340 430342 - 8
	DISPLAY PERF END PANEL DOUBLE FACED	1350mm x 300mm 1350mm x 375mm 1350mm x 450mm 1600mm x 375mm 1600mm x 450mm 1800mm x 375mm 1800mm x 450mm	430590 430592 430600 430602 430620 430622 430640 430642 430660 430662 430680 430682 430700 430702	

	DESCRIPTION	DIMENSIONS	900mm	915mm
	SHELF BRACKETS UNDERSLUNG	225mm 300mm 375mm 375mm HEAVY DUTY 450mm HEAVY DUTY 600mm HEAVY DUTY	440010 440012 440030 440032 440070 440072 440090 440092 440110 440112 440150 440152	440014 440018 440034 440038 440074 440078 440114 440118
	MULTI BRACKETS UNDERSLUNG +1° TO -30°	225mm 300mm 375mm 450mm	440290 440292 440300 440302 440330 440332 440360 440362	
	PAPER BACK SHELF BRACKETS	200mm EACH 250mm EACH 300mm EACH 350mm L/H R/H (PAIR) 420mm L/H R/H (PAIR)	440510 440512 440520 440522 440530 440532 440540 440542 440560 440562	
	DISPLAY QUADRANT BRACKETS	0 - 45°	440700 440702	
	DISPLAY SLOPING BLADE	450mm	440720 440722	
	DISPLAY SLOTTED BRACKET 15°	450mm	440780 440782	
	DISPLAY SLOTTED BRACKET 30°	450mm	440800 440802	
	BACK BRACE SET	600mm 900mm 915mm	450010 450012 450030 450032	450070 450072 - 8
	DISPLAY WALL FOOTING	375mm 450mm 600mm	460100 460102 460150 460152 460200 460202	460108 460158
	SCREW FOOT SLIPPER		460300 460302	460308
	ADJUSTABLE SCREW FOOT SET	75mm HIGH	486590	
	DISPLAY KICK PLATE	600mm x 150mm 900mm x 150mm 915mm x 150mm	484010 484011 484012 484030 484031 484032 484050 484052	484058

DESCRIPTION		DIMENSIONS		900mm	915mm
	DISPLAY END COVERS (SINGLE FACED POSTS)	375mm MK3 450mm MK3 600mm MK3		484100 484101 484102 484120 484121 484122 484160 484161 484162	484108 484128 484168
	DISPLAY WATERFALL (CLOTHING)	8 TIER 12 TEIR		484280 484282 484300 484302	CHROME CHROME
	DISPLAY PELMET BRACKETS	600mm STANDARD		484320 484322	
	MULTI PURPOSE HANGING BAR (HEAVY DUTY)	900mm x 50mm 915mm x 50mm		484360 484362	484380 484382 - 8
	BIN HOLDER BAR (HEAVY DUTY)	900mm x 60mm x 40mm 915mm x 60mm x 40mm		484400 484402	484420 484422 - 8
	DISPLAY HANGING GARMENT RAIL	900mm x 300mm		484440 484442	
	DISPLAY TOP CAP (PEGBOARD BACK PANELS)	900mm x 77mm 915mm x 77mm		484480 484482	484500 484502 484508
	PEGBOARD FITTING RAIL MK2	1350mm 1600mm 1800mm		484520 484522 484540 484542 484560 484562	484528 484548 484568
	PEGBOARD FITTING RAIL EXTENSIONS MK2	250mm 850mm 1000mm 1200mm		484570 484572 484580 484582 484590 484592 484600 484602	484578 484588 484598 484608
	DISPLAY SLATWALL TOP CAP	915mm x 77mm		484620 484622	
	DISPLAY SLATWALL FITTING RAIL	1350mm		484640 484642	484648
	PANEL MOUNTING BRACKET	75mm x 24mm		484720 484722	

	DESCRIPTION	DIMENSIONS	900mm	915mm
	CASTOR ADAPTOR SET (DOUBLE FACED POSTS)	300mm 450mm	484730 484750 484752	
	REEL HOLDER SET	900mm x 300mm 915mm x 300mm	484880 484882	484900 484908
	NAIL BIN NAIL BIN DIVIDER	900mm x 300mm x 122mm MK2 915mm x 375mm x 122mm MK2 300mm x 115mm MK2 375mm x 115mm MK2	485100 485102 485120 485122 485200 485202 485220 485222	485140 485142 - 8 485160 485162 - 8 485218 485228
	PEG BOARD PANEL CLIP	50mm x 43mm	485253	ZINC
	WALL FIXING BRACKET 50mm - 300mm	50mm x 300mm	485270 485272	
	PERFORATED STEEL MODULAR BACK PANEL	450mm x 900mm 600mm x 900mm 700mm x 900mm 800mm x 900mm	485450 485452 485470 485472 485490 485492 485510 485512	485530 485532 - 8 485550 485552 - 8 485570 485572 - 8 485590 485592 - 8
	DISPLAY PEG PANEL MOUNT BRACKET		485406	BLACK
	PERFORATED CLIP ON DISPLAY PANEL (GONDOLA'S) (900mm-915mm)	915mm x 500mm x 140mm 915mm x 750mm x 140mm 915mm x 1500mm x 140mm	485750 485752 485760 485762 485770 485772	485750 485752 485760 485762 485770 485772
	DISPLAY SLAT WALL SIDE PLATES (PAIRS)	500mm x 140mm 750mm x 140mm 1500mm x 140mm	484690 484692 484700 484702 484710 484712	484690 484692 484700 484702 484710 484712
	PERFORATED FRONT DISPLAY PANEL (WALL CHANNEL)	450mm x 900mm 600mm x 900mm 700mm x 900mm 800mm x 900mm	485850 485852 485860 485862 485870 485872 485880 485882	485900 485902 - 8 485910 465912 - 8 485920 485922 - 8 485930 485932 - 8

	DESCRIPTION	DIMENSIONS	900mm		915mm	
	DISPLAY BASKET BASKET DIVIDER	900mm x 300mm x 100mm 900mm x 375mm x 100mm 300mm x 100mm 375mm x 100mm	486050 486052 486070 486072 486100 486102 486120 486122			
	DISPLAY BASKET (SUIT 4 SLOT SLOPING BRACKETS) BASKET DIVIDERS	900mm x 450mm x 100mm 450mm x 100mm	486140 486150		CHROME CHROME	
	DUMP DISPLAY BASKET DUMP DIVIDER	900mm x 375mm x 230mm x 100mm 900mm x 450mm x 230mm x 100mm 375mm x 230mm 450mm x 230mm	486170 486172 486190 486192 486250 486252 486272		486210 486212 - 8 486230 486232 - 8 486258 486270 486278	
	TOOL HOLDER RACK	450mm x	486332 486333		ZINC	
	PEGBOARD BACK PANELS (PAINTED)	1350mm x 900mm 1350mm x 915mm	486380 486382 486388		486400 486402 486408	
	ACRYLIC SHELF FRONTS	600mm x 75mm x 4.5mm 600mm x 100mm x 4.5mm 900mm x 75mm x 4.5mm 900mm x 100mm x 4.5mm	486430 486440 486450 486470		CLEAR CLEAR CLEAR CLEAR	
	ACRYLIC SHELF SUPPORT CLIPS (GLASS OR WOOD)	28mm x 18mm SINGLE 40mm x 18mm DOUBLE GROMMET	486490 486500 486510		CLEAR CLEAR CLEAR	
	DATA STRIP	DBR26-TP-0915	486580		GREEN	
	BACK PANEL LOCKING CLIP		486623		ZINC	
	UPRIGHT POST PLASTIC CAP	72mm x 30mm	486642		486648	



HYDESTOR MANUFACTURING LTD

MANUFACTURERS AND SUPPLIERS OF STEEL SHELVING SYSTEMS
AUCKLAND WELLINGTON CHRISTCHURCH

STEEL PEG PANEL ASSEMBLY

DRAWN
MARCUS

ORIGINAL

CHECKED

DATE
7/5/04

SCALE
N.T.S.

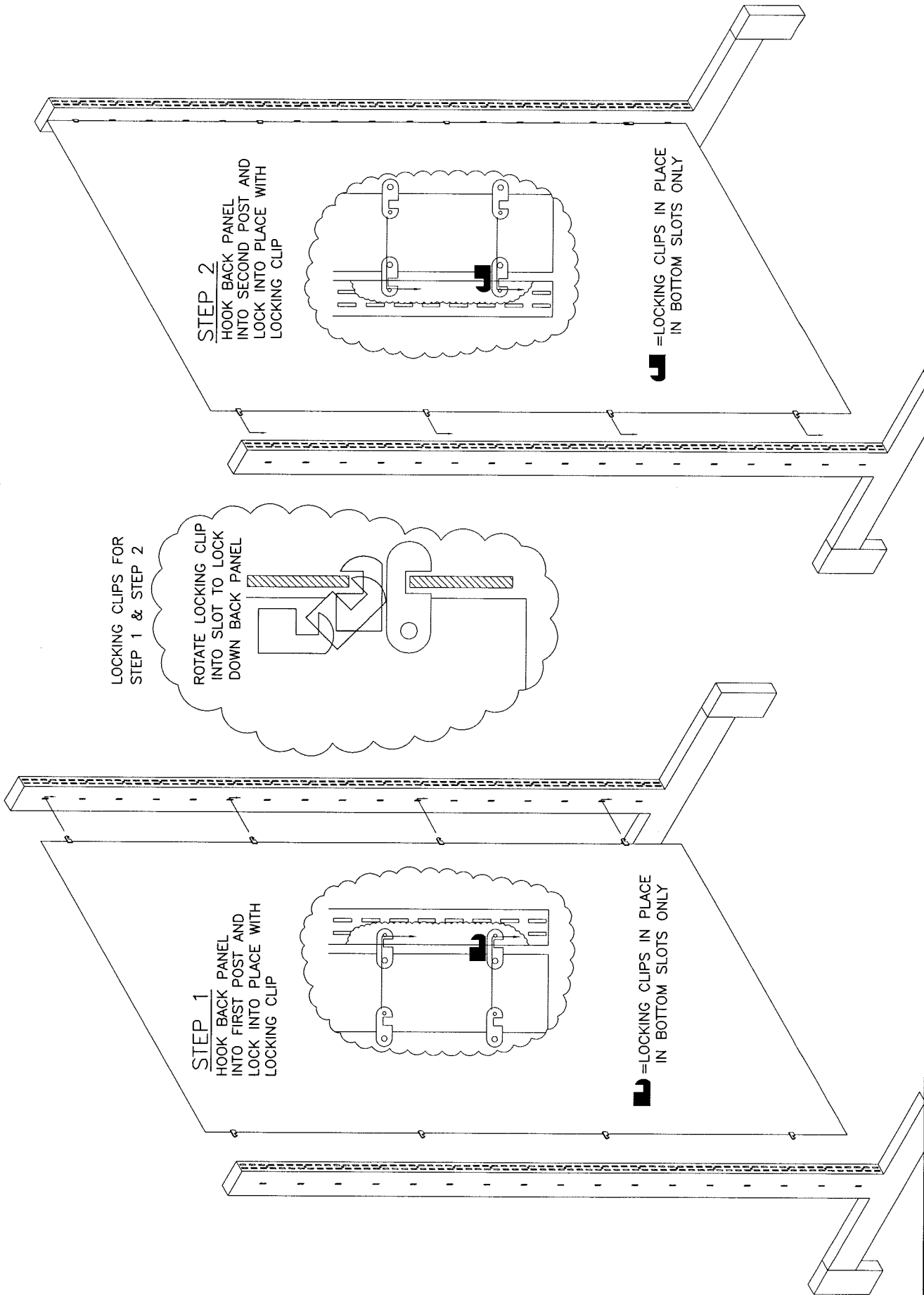
SHEET
1

SERIES OF
1

SUPERSEDES

SUPERSEDED BY

REFERENCE No
DS09



LOCKING CLIPS FOR STEP 1 & STEP 2

ROTATE LOCKING CLIP INTO SLOT TO LOCK DOWN BACK PANEL

STEP 2
HOOK BACK PANEL INTO SECOND POST AND LOCK INTO PLACE WITH LOCKING CLIP

 = LOCKING CLIPS IN PLACE IN BOTTOM SLOTS ONLY

STEEL BACK PANEL ASSEMBLY

HYDESTOR MANUFACTURING LTD

MANUFACTURERS AND SUPPLIERS OF STEEL SHELVING SYSTEMS
AUCKLAND WELLINGTON CHRISTCHURCH

DRAWN
MARCUS

ORIGINAL

CHECKED

DATE
7/5/04

SCALE
N.T.S.

SHEET

1

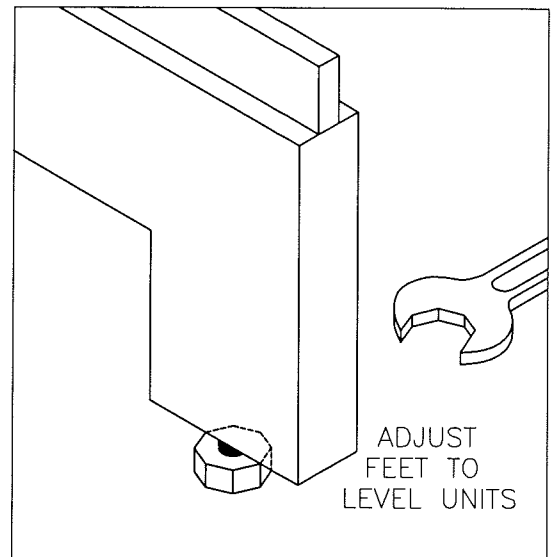
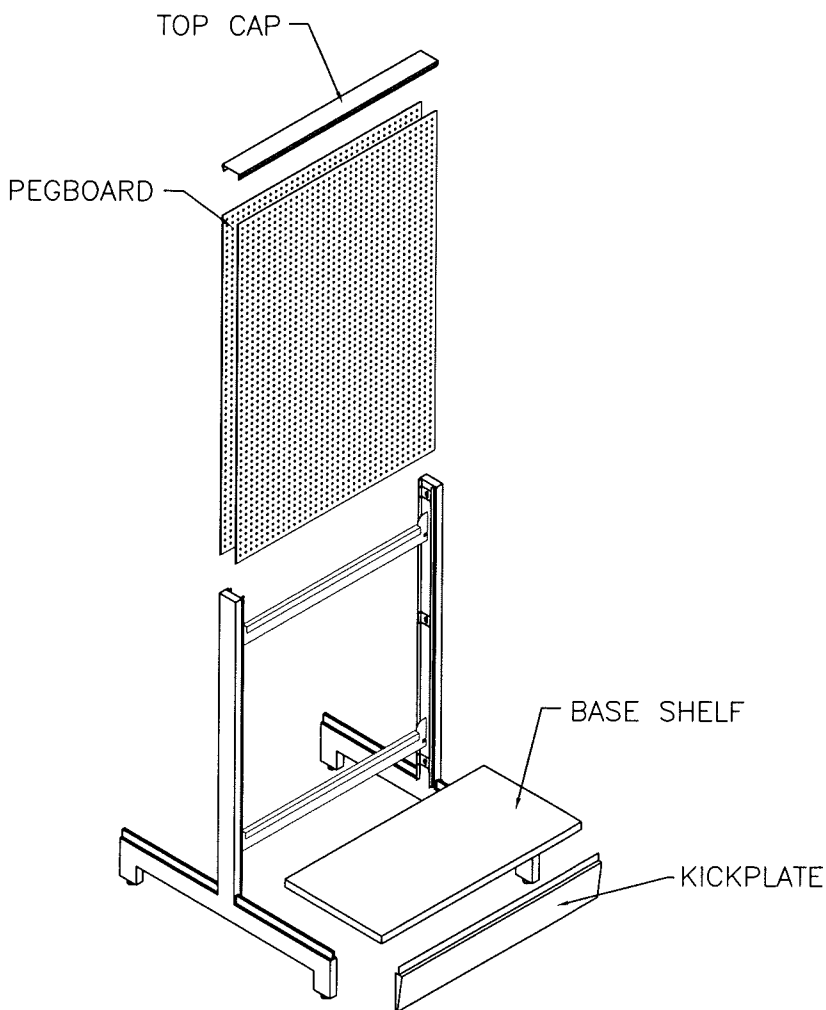
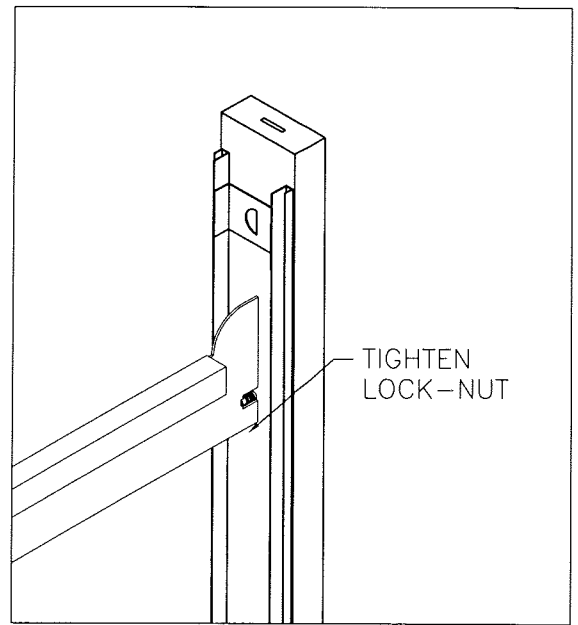
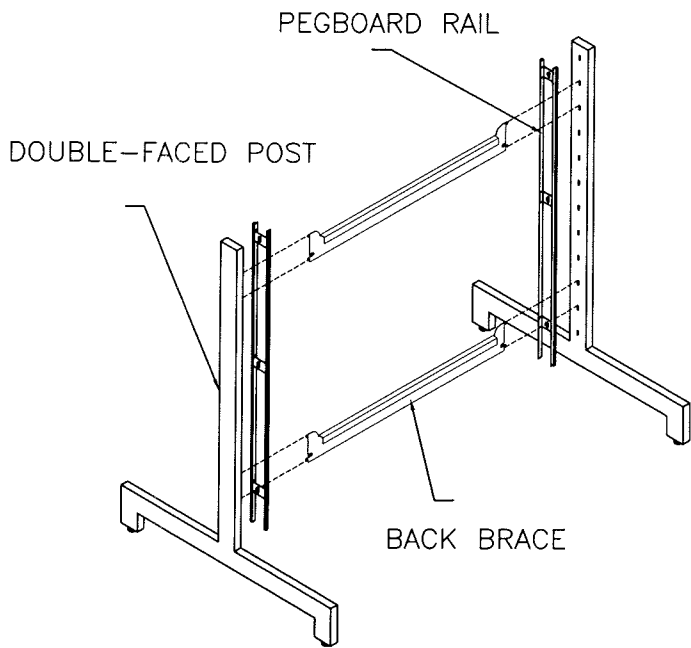
SERIES OF

1

SUPERSEDES

SUPERSEDED BY

REFERENCE No
DS10

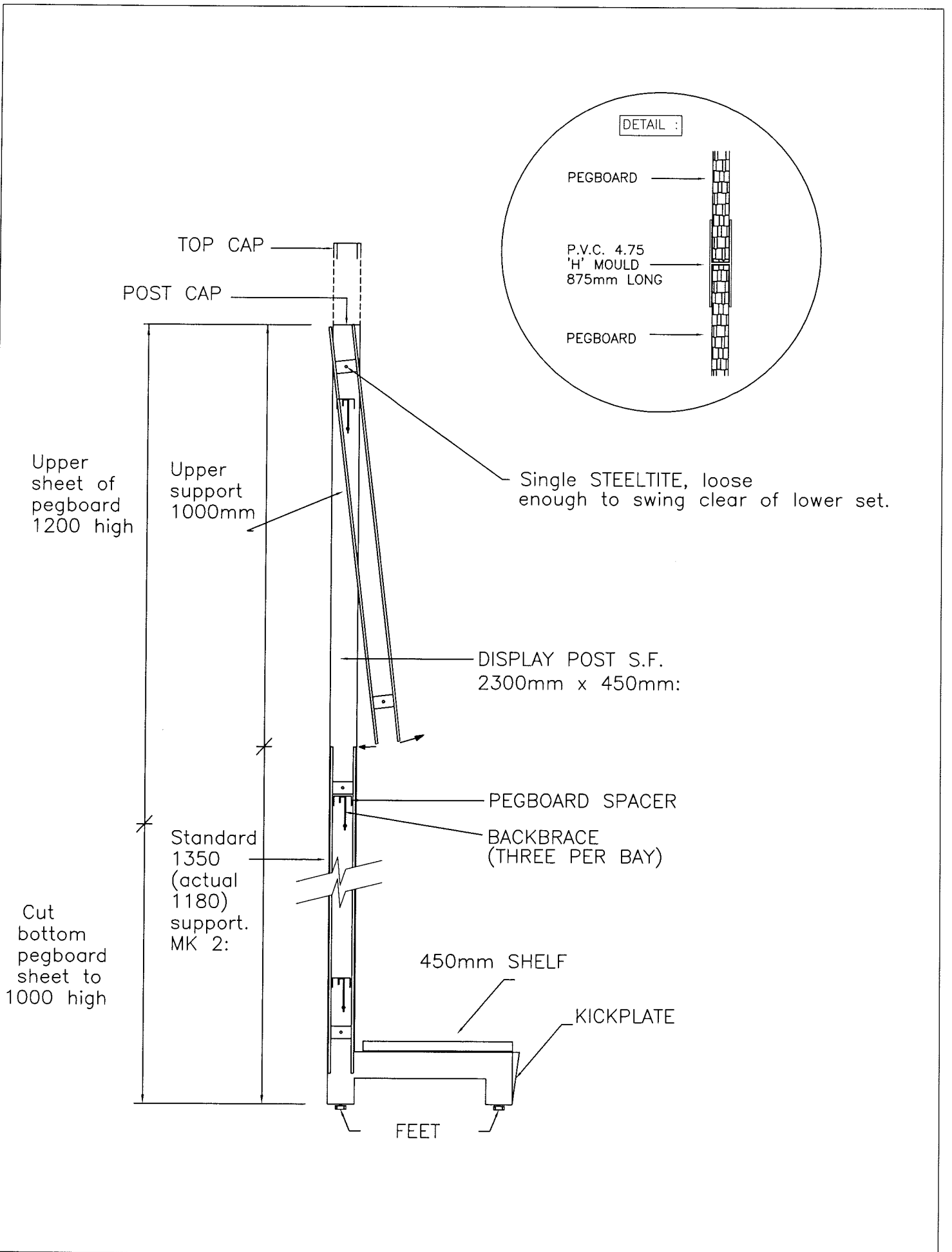


HYDESTOR MANUFACTURING LTD

MANUFACTURERS AND SUPPLIERS OF STEEL SHELVING SYSTEMS
AUCKLAND WELLINGTON CHRISTCHURCH

HYDESTOR DISPLAY SHELVING ASSEMBLY DETAIL

DRAWN	ORIGINAL	CHECKED	DATE	SCALE	SHEET	SERIES OF	SUPERSEDES	SUPERSEDED BY	REFERENCE No
MARCUS			7/5/04	N.T.S.	1	1			DS11

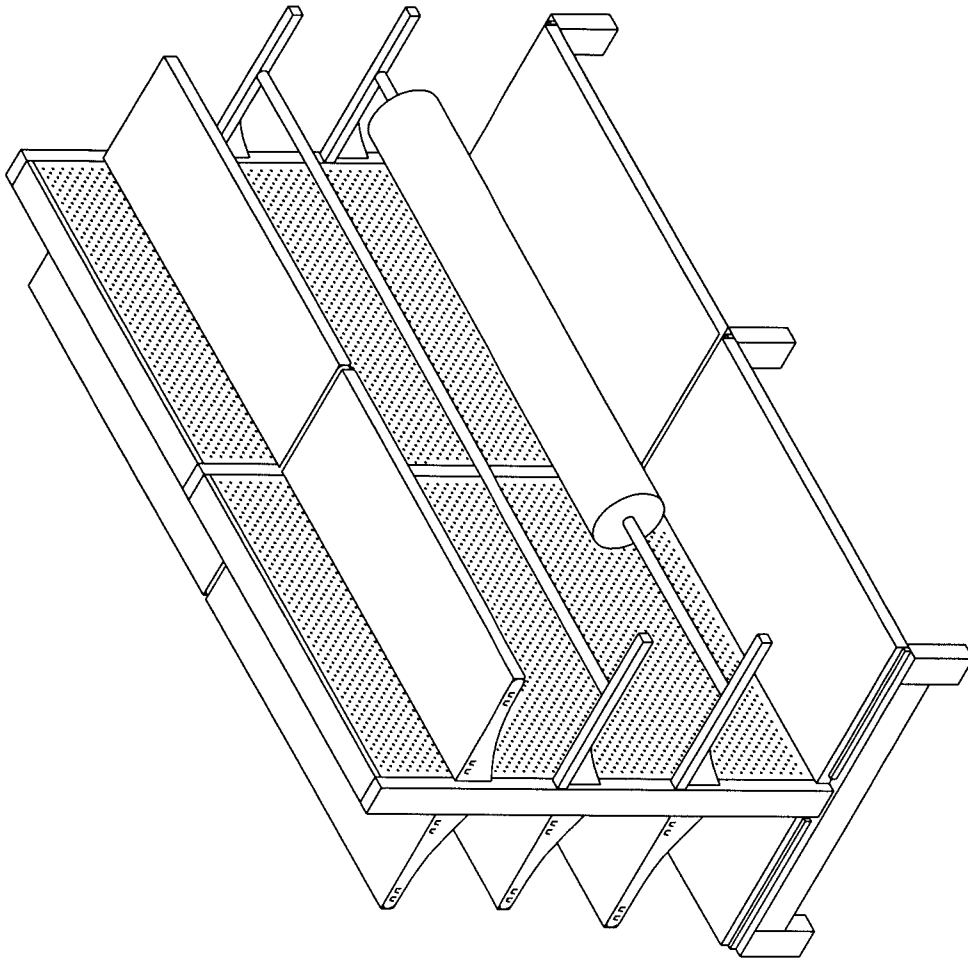


HYDESTOR MANUFACTURING LTD

MANUFACTURERS AND SUPPLIERS OF STEEL SHELVING SYSTEMS
AUCKLAND WELLINGTON CHRISTCHURCH

2.300mm SINGLE FACE POST – PEGBOARD ASSEMBLY DETAIL

DRAWN	ORIGINAL	CHECKED	DATE	SCALE	SHEET	SERIES OF	SUPERSEDES	SUPERSEDED BY	REFERENCE NO
MARCUS			7/5/04	N.T.S.	1	1			DS12



DS13

PROPOSAL FOR: HYDESTOR LARGE ROLL HOLDER – HORIZONTAL

HYDESTOR MANUFACTURING LTD

MANUFACTURERS AND SUPPLIERS OF STEEL SHELVING SYSTEMS
 CHRISTCHURCH
 WELLINGTON

DRAWN
 MARCUS

ORIGINAL

CHECKED

DATE
 7/5/04

SCALE
 N.T.S.

SHEET

1

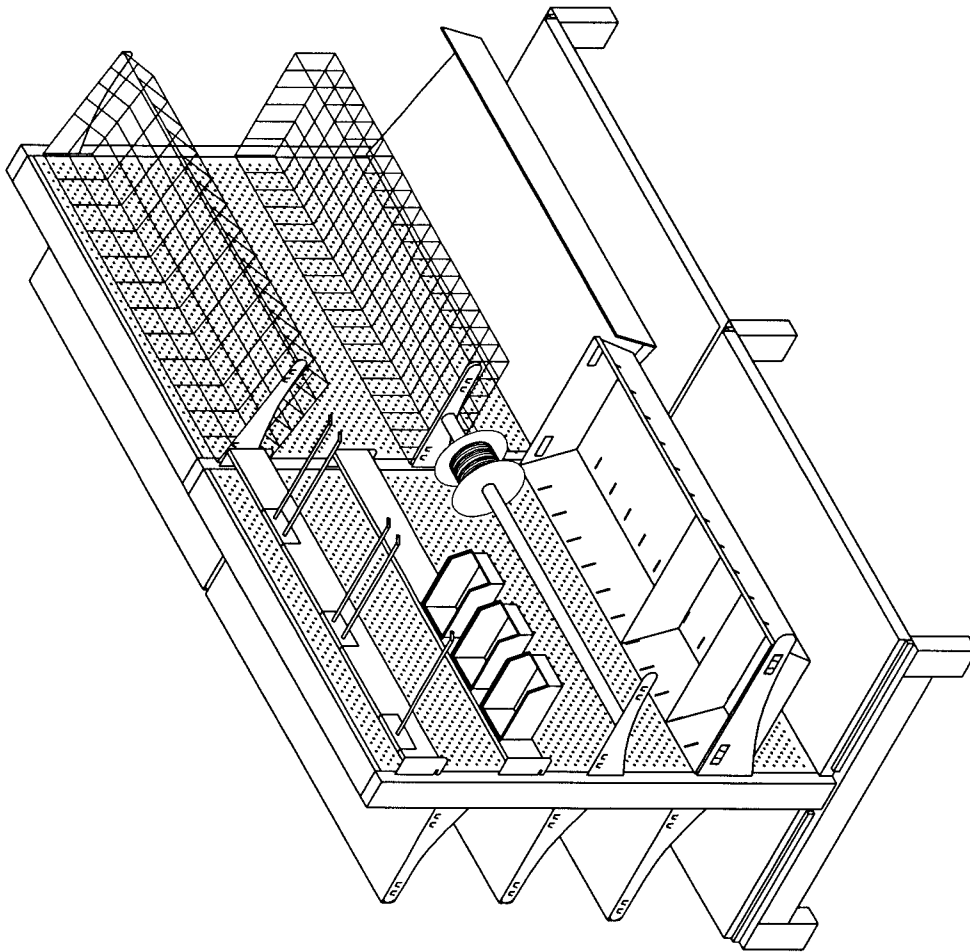
SERIES OF

1

SUPERSEDES

SUPERSEDED BY

REFERENCE No
 DS13



DS14

PROPOSAL FOR: HYDESTOR TYPICAL HARDWARE COMPONENTS

HYDESTOR MANUFACTURING LTD

MANUFACTURERS AND SUPPLIERS OF STEEL SHELVING SYSTEMS
AUCKLAND CHRISTCHURCH WELLINGTON

DRAWN
MARCUS

ORIGINAL

CHECKED

DATE
7/5/04

SCALE
N.T.S.

SHEET

1

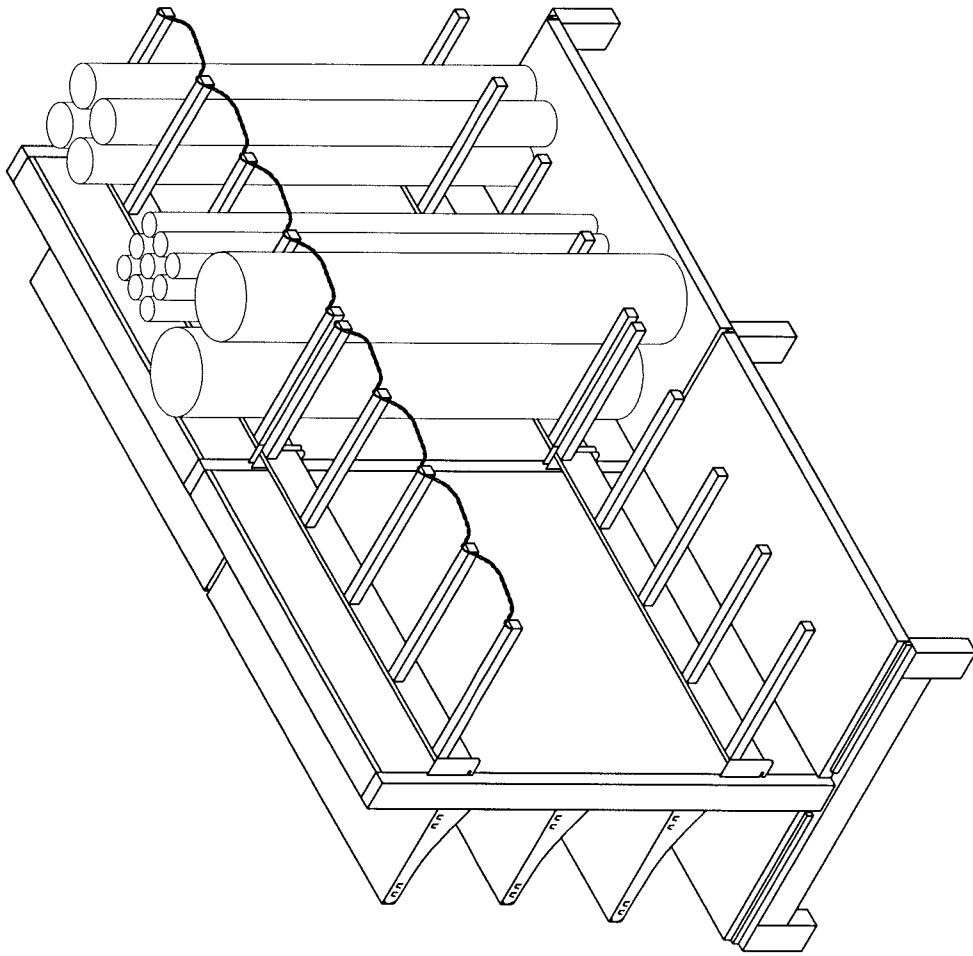
SERIES OF

1

SUPERSEDES

SUPERSEDED BY

REFERENCE No
DS14



DS15

PROPOSAL FOR: HYDESTOR LARGE ROLL HOLDER – VERTICAL

HYDESTOR MANUFACTURING LTD

MANUFACTURERS AND SUPPLIERS OF STEEL SHELVING SYSTEMS
AUCKLAND CHRISTCHURCH WELLINGTON

DRAWN
MARCUS

ORIGINAL

CHECKED

DATE
7/5/04

SCALE
N.T.S.

SHEET
1

SERIES OF
1

SUPERSEDES

SUPERSEDED BY

REFERENCE No
DS15