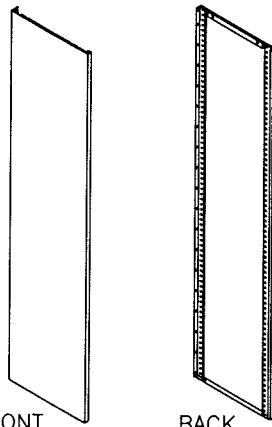
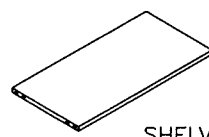
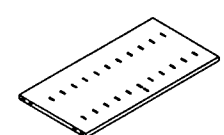
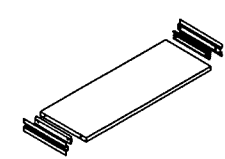
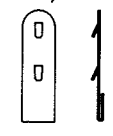
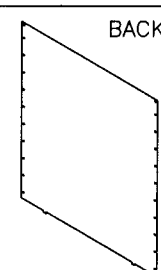
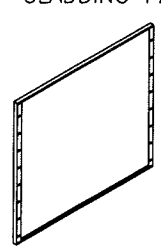
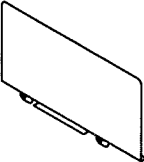
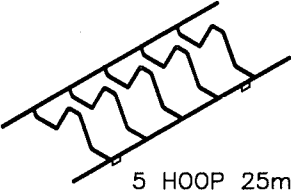
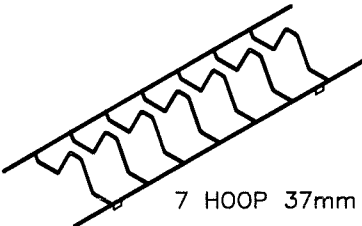
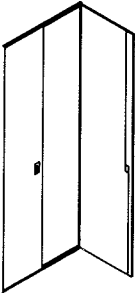
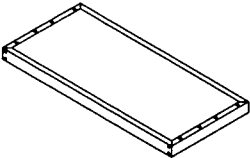
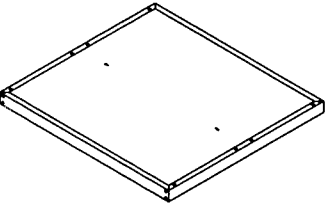
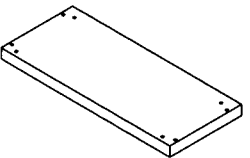
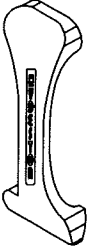

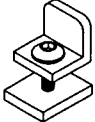
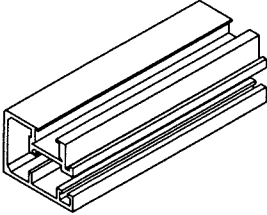
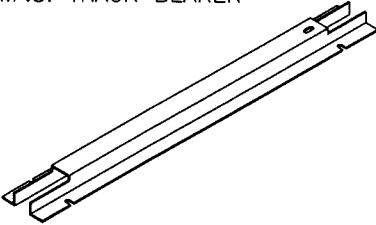
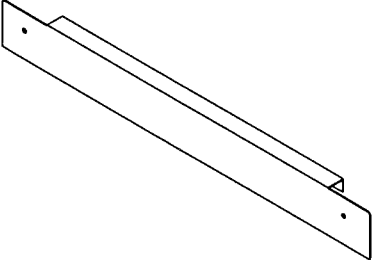


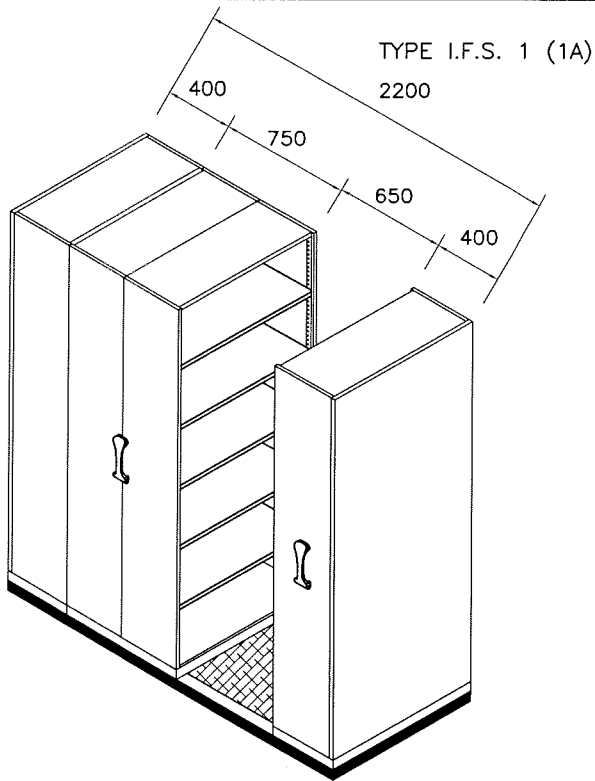
		LEFT HAND	RIGHT HAND	LEFT HAND LOCKING	RIGHT HAND LOCKING
I.F.S. END PANELS (HANDED)  FRONT      BACK	1.8m x 150mm 1.8m x 300mm 1.8m x 350mm 1.8m x 400mm	H12010/2 H12100/2 H12150/2 H12200/2	H12020/2 H12110/2 H12160/2 H12210/2	H12030/2 H12120/2 H12170/2 H12220/2	H12040/2 H12130/2 H12180/2 H12230/2
	2.1m x 300mm 2.1m x 350mm 2.1m x 400mm	H12400/2 H12450/2 H12500/2	H12410/2 H12460/2 H12510/2	H12420/2 H12470/2 H12520/2	H12430/2 H12480/2 H12530/2
 SHELVES		150mm (VIDEO)	300mm	350mm	400mm
	900mm 1200mm	H21500/2 H21550/2	220200/2 H21000/2	220350/2 H21300/2	220450/2 H21400/2
SHELVES – SLOTTED 	900mm 1200mm		220230/2 H21150/2	220390/2 H21350/2	220490/2 H21450/2
 REFERENCE SET	900mm 1200mm		H21700/2 H21760/2	H21720/2 H21780/2	H21740/2 H21800/2
VIDEO SHELF CLIP (BASE SHELF) 	65mm x 20mm	H84057			
BACK PANELS 	TOP		BOTTOM		
	825x900mm 1125x900mm  825x1200mm 1125x1200mm	H30100/2 H30150/2  H30360/2 H30350/2	1025x900mm  1025x1200mm	H30400/2  H30450/2	
CLADDING PANELS 	825x900mm 1125x900mm  825x1200mm 1125x1200mm	H33100/2 H33150/2  H33200/2 H33250/2	975x900mm  975x1200mm	H33300/2  H33350/2	

COMBINATIONS		BACK PANELS		CLADDING PANELS		
		TOP	BOTTOM	TOP	BOTTOM	
900mm	END P. 1.8m	825 x 900 H30100/2	1025 x 900 H30400/2	825 x 900 H33100/2	975 x 900 H33300/2	
	END P. 2.1m	1125 x 900 H30120/2	1025 x 900 H30400/2	1125 x 900 H33150/2	975 x 900 H33300/2	
	1200mm	END P. 1.8m	825 x 1200 H30300/2	1025 x 1200 H30450/2	825 x 1200 H33200/2	975 x 1200 H33350/2
		END P. 2.1m	1125 x 1200 H30350/2	1025 x 1200 H30450/2	1125 x 1200 H33250/2	975 x 1200 H33350/2
FREE STANDING DIVIDERS						
	300 x 150	286350/2				
	350 x 150	286370/2				
	400 x 150	286370/2				
TOAST RACK						
 <p>5 HOOP 25mm</p>	900 x 350	287080/2				
	900 x 400	287090/2				
TOAST RACK						
 <p>7 HOOP 37mm</p>	1200 x 350	H87600/2				

<p>SECURITY DOOR SETS</p>  <p>DOUBLE</p>	<p>1.8mx900mm 2.1mx900mm</p> <p>1.8mx1200mm 2.1mx1200mm</p>	<p>SD5000/2 SD5020/2</p> <p>SD5040/2 SD5050/2</p>	<p>DOUBLE DOUBLE</p> <p>DOUBLE DOUBLE</p>		
<p>MOBILE BASES</p> 	SINGLE FACED				
<p>MOBILE BASES</p> 	DOUBLE FACED				
<p>STATIC BASES</p> 	SINGLE FACED STATIC				
<p>900 x 300 H74100/2</p> <p>900 x 350 H74200/2</p> <p>900 x 400 H74300/2</p>	<p>900 x 300 SLT H74150/2</p> <p>900 x 350 SLT H74250/2</p> <p>900 x 400 SLT H74350/2</p>	<p>1200 x 300 H74400/2</p> <p>1200 x 350 H74500/2</p> <p>1200 x 400 H74600/2</p>	<p>1200 x 300 SLT H74450/2</p> <p>1200 x 350 SLT H74550/2</p> <p>1200 x 400 SLT H74650/2</p>		
<p>VIDEO</p> <p>900 x 650 H75100/2</p> <p>900 x 750 H75200/2</p> <p>900 x 850 H75300/2</p>	<p>900 x 350 H75050/2</p> <p>900 x 650 SLT H75150/2</p> <p>900 x 750 SLT H75250/2</p> <p>900 x 850 SLT H75350/2</p>	<p>1200 x 350 H76050/2</p> <p>1200 x 650 H75400/2</p> <p>1200 x 750 H75500/2</p> <p>1200 x 850 H75600/2</p>	<p>1200 x 650 SLT H75450/2</p> <p>1200 x 750 SLT H75550/2</p> <p>1200 x 850 SLT H75650/2</p>		
<p>900 x 300 H76100/2</p> <p>900 x 350 H76200/2</p> <p>900 x 400 H76300/2</p>	<p>900 x 300 SLT H76150/2</p> <p>900 x 350 SLT H76250/2</p> <p>900 x 400 SLT H76350/2</p>	<p>1200 x 300 H76400/2</p> <p>1200 x 350 H76500/2</p> <p>1200 x 400 H76600/2</p>	<p>1200 x 300 SLT H76450/2</p> <p>1200 x 350 SLT H76550/2</p> <p>1200 x 400 SLT H76650/2</p>		

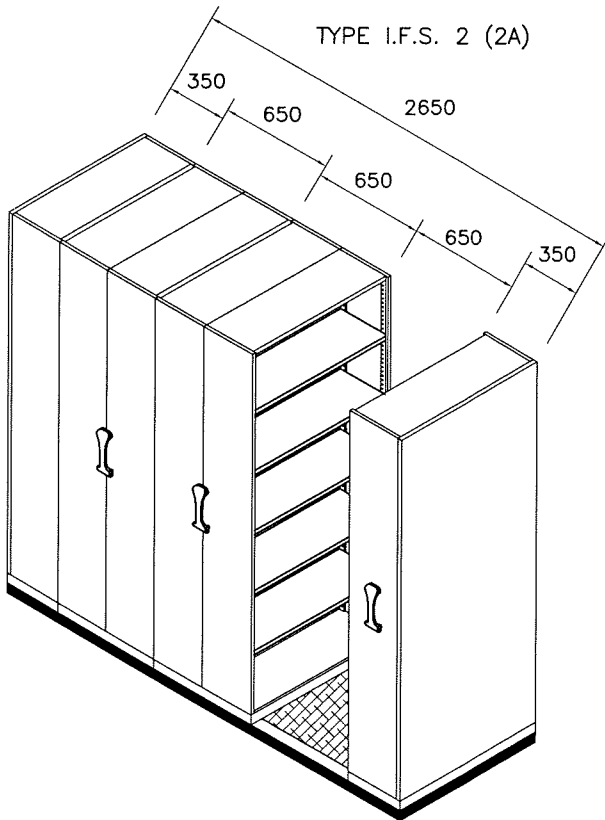
MOBILE HANDLE REAR FIX MK2		250mm x 50mm	286660/2		
MOBILE HANDLE TEMPLATE		250mm x 75mm	H86600/2		
TRACK STOP SET		26mm x 25mm	H86650/2		
I.F.S. TRACK EXTRUSION		2.200m H87010/2  3.300m H87050/2  3.950m H87090/2	2.600m H87020/2  3.350m H87060/2  4.200m H87100/2	2.650m H87030/2  3.450m H87070/2  5.200m H87200/2	2.950m H87040/2  3.700m H87080/2  6.100m H87300/2
I.F.S. TRACK BEARER		900mm 1200mm	H86100/2 H86150/2		
I.F.S. END CAP		900mm 1200mm	H86200/2 H86250/2		

I.F.S. SYSTEMS



- TYPE I.F.S. 1 (1A)  
2200
- 2200 x 1.8 x 900 x 350 HS0120/2
  - 2200 x 1.8 x 1.2 x 350 HS0140/2
  - 2200 x 2.1 x 900 x 350 HS0170/2
  - 2200 x 2.1 x 1.2 x 350 HS0190/2
  - 2200 x 1.8 x 900 x 350 SLT HS0220/2
  - 2200 x 1.8 x 1.2 x 350 SLT HS0240/2
  - 2200 x 2.1 x 900 x 350 SLT HS0320/2
  - 2200 x 2.1 x 1.2 x 350 SLT HS0340/2

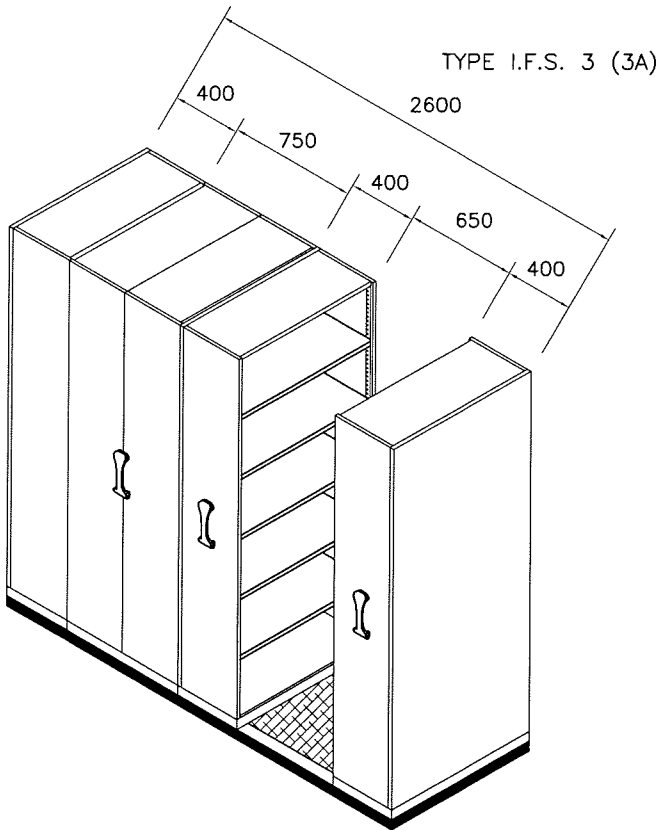
BOARD REQUIRED  
900mm  
1x 2158mm x 787mm  
1200mm  
1x 2158mm x 1087mm



- TYPE I.F.S. 2 (2A)  
2650
- 2650 x 1.8 x 900 x 300 HS0420/2
  - 2650 x 1.8 x 1.2 x 300 HS0440/2
  - 2650 x 2.1 x 900 x 300 HS0470/2
  - 2650 x 2.1 x 1.2 x 300 HS0490/2
  - 2650 x 1.8 x 900 x 300 SLT HS0520/2
  - 2650 x 1.8 x 1.2 x 300 SLT HS0540/2
  - 2650 x 2.1 x 900 x 300 SLT HS0620/2
  - 2650 x 2.1 x 1.2 x 300 SLT HS0640/2

BOARD REQUIRED  
900mm  
1x 2608mm x 787mm  
1200mm  
1x 2608mm x 1087mm

I.F.S. SYSTEMS



2600 x 1.8 x 900 x 350  
2600 x 1.8 x 1.2 x 350

HS0720/2  
HS0740/2

2600 x 2.1 x 900 x 350  
2600 x 2.1 x 1.2 x 350

HS0770/2  
HS0790/2

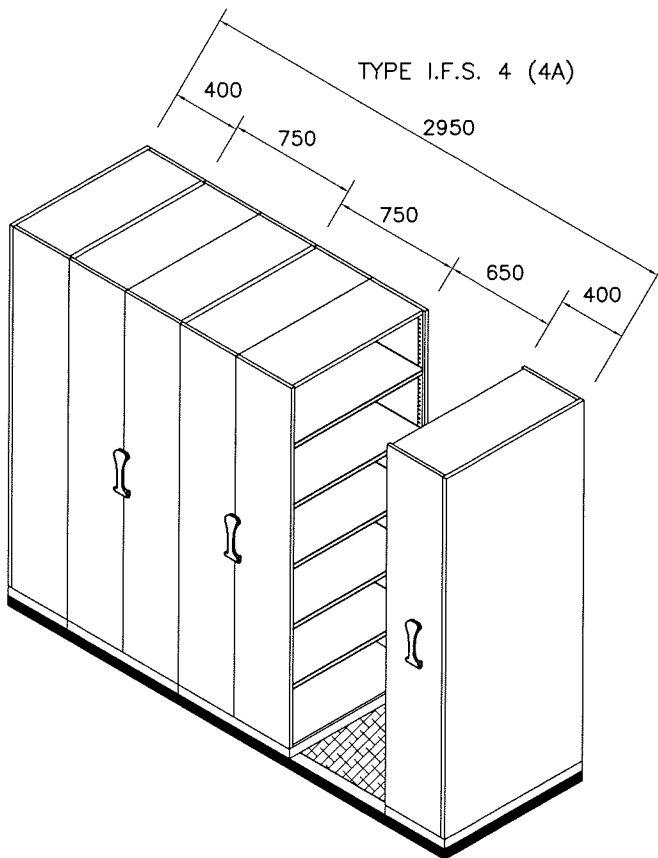
2600 x 1.8 x 900 x 350 SLT  
2600 x 1.8 x 1.2 x 350 SLT

HS0820/2  
HS0840/2

2600 x 2.1 x 900 x 350 SLT  
2600 x 2.1 x 1.2 x 350 SLT

HS0920/2  
HS0940/2

BOARD REQUIRED  
900mm  
1x 2558mm x 787mm  
  
1200mm  
1x 2558mm x 1087mm



2950 x 1.8 x 900 x 350  
2950 x 1.8 x 1.2 x 350

HS1120/2  
HS1140/2

2950 x 2.1 x 900 x 350  
2950 x 2.1 x 1.2 x 350

HS1170/2  
HS1190/2

2950 x 1.8 x 900 x 350 SLT  
2950 x 1.8 x 1.2 x 350 SLT

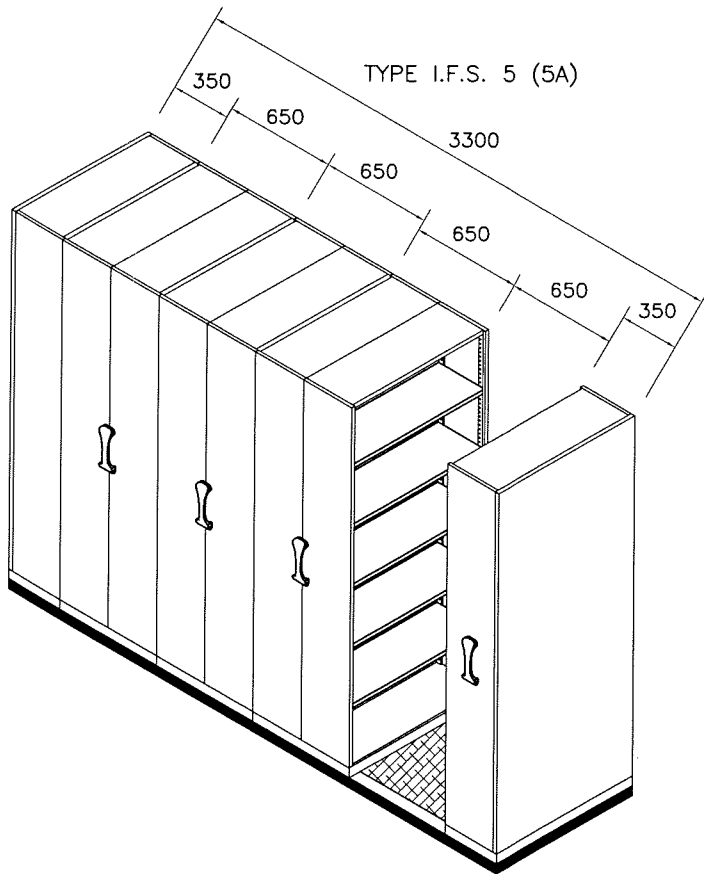
HS1220/2  
HS1240/2

2950 x 2.1 x 900 x 350 SLT  
2950 x 2.1 x 1.2 x 350 SLT

HS1320/2  
HS1340/2

BOARD REQUIRED  
900mm  
1x 2908mm x 787mm  
  
1200mm  
1x 2908mm x 1087mm

I.F.S. SYSTEMS



3300 x 1.8 x 900 x 300  
3300 x 1.8 x 1.2 x 300

HS1420/2  
HS1440/2

3300 x 2.1 x 900 x 300  
3300 x 2.1 x 1.2 x 300

HS1470/2  
HS1490/2

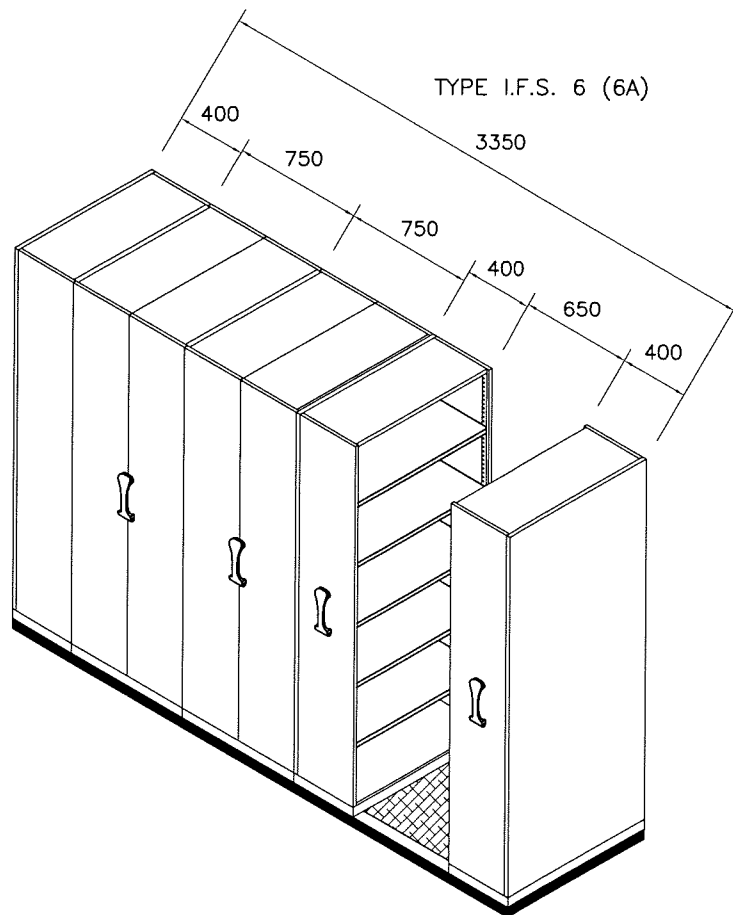
3300 x 1.8 x 900 x 300 SLT  
3300 x 1.8 x 1.2 x 300 SLT

HS1520/2  
HS1540/2

3300 x 2.1 x 900 x 300 SLT  
3300 x 2.1 x 1.2 x 300 SLT

HS1620/2  
HS1640/2

BOARD REQUIRED  
900mm  
1x 3258mm x 787mm  
  
1200mm  
1x 3258mm x 1087mm



3350 x 1.8 x 900 x 350  
3350 x 1.8 x 1.2 x 350

HS1720/2  
HS1740/2

3350 x 2.1 x 900 x 350  
3350 x 2.1 x 1.2 x 350

HS1770/2  
HS1790/2

3350 x 1.8 x 900 x 350 SLT  
3350 x 1.8 x 1.2 x 350 SLT

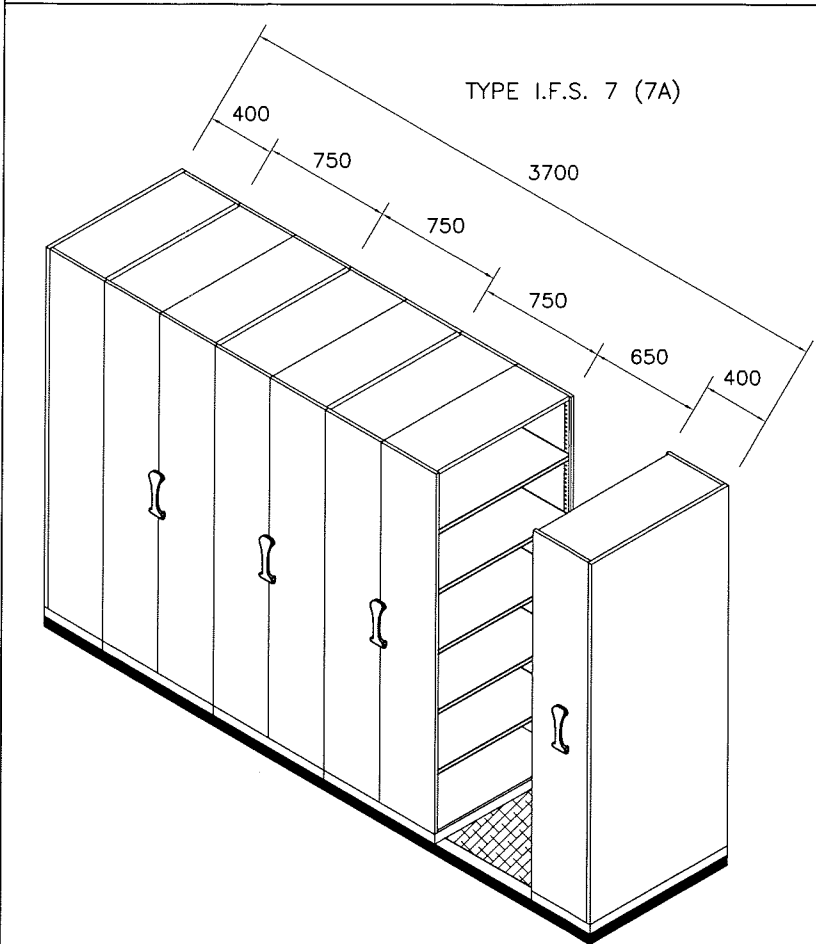
HS1820/2  
HS1840/2

3350 x 2.1 x 900 x 350 SLT  
3350 x 2.1 x 1.2 x 350 SLT

HS1920/2  
HS1940/2

BOARD REQUIRED  
900mm  
1x 3308mm x 787mm  
  
1200mm  
1x 3308mm x 1087mm

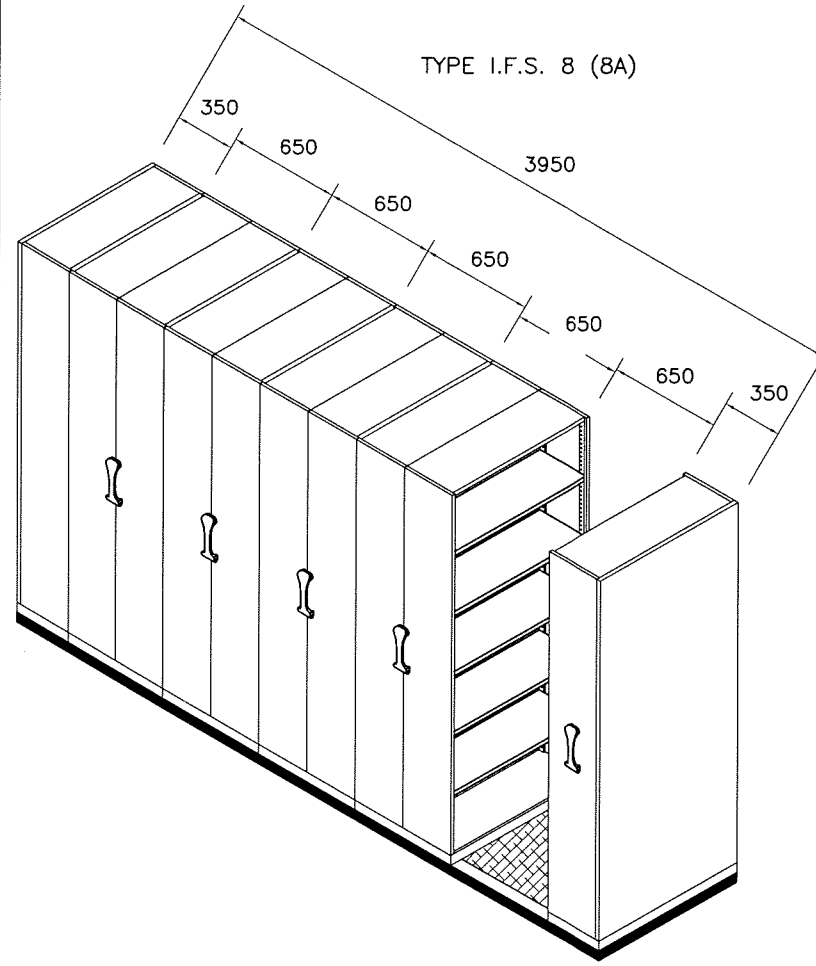
I.F.S. SYSTEMS



- 3700 x 1.8 x 900 x 350 HS2120/2
- 3700 x 1.8 x 1.2 x 350 HS2140/2
- 3700 x 2.1 x 900 x 350 HS2170/2
- 3700 x 2.1 x 1.2 x 350 HS2190/2
- 3700 x 1.8 x 900 x 350 SLT HS2220/2
- 3700 x 1.8 x 1.2 x 350 SLT HS2240/2
- 3700 x 2.1 x 900 x 350 SLT HS2320/2
- 3700 x 2.1 x 1.2 x 350 SLT HS2340/2

BOARD REQUIRED

- 900mm
- 1x 3658mm x 787mm
- 1200mm
- 1x 3658mm x 1087mm

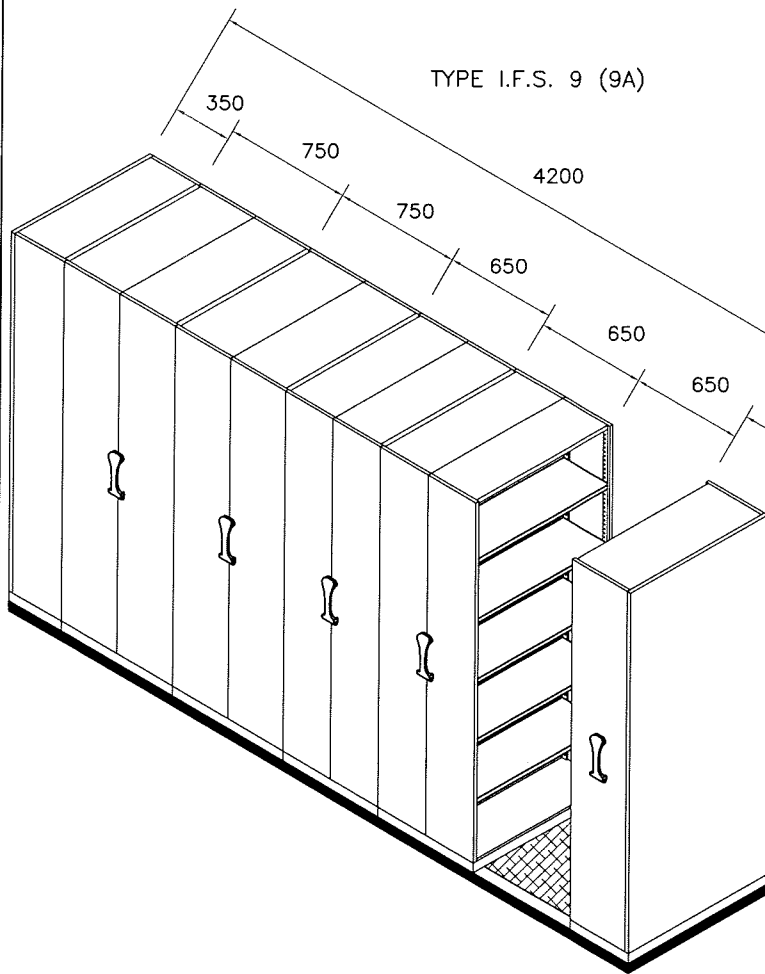


- 3950 x 1.8 x 900 x 300 HS2420/2
- 3950 x 1.8 x 1.2 x 300 HS2440/2
- 3950 x 2.1 x 900 x 300 HS2470/2
- 3950 x 2.1 x 1.2 x 300 HS2490/2
- 3950 x 1.8 x 900 x 300 SLT HS2520/2
- 3950 x 1.8 x 1.2 x 300 SLT HS2540/2
- 3950 x 2.1 x 900 x 300 SLT HS2620/2
- 3950 x 2.1 x 1.2 x 300 SLT HS2640/2

BOARD REQUIRED

- 900mm
- 1x 1829mm x 787mm
- 1x 2079mm x 787mm
- 1200mm
- 1x 1829mm x 1087mm
- 1x 2079mm x 1087mm

I.F.S. SYSTEMS



TYPE I.F.S. 9 (9A)

4200 x 1.8 x 900 x COM  
4200 x 1.8 x 1.2 x COM

HS2720/2  
HS2740/2

4200 x 2.1 x 900 x COM  
4200 x 2.1 x 1.2 x COM

HS2770/2  
HS2790/2

4200 x 1.8 x 900 x COM SLT  
4200 x 1.8 x 1.2 x COM SLT

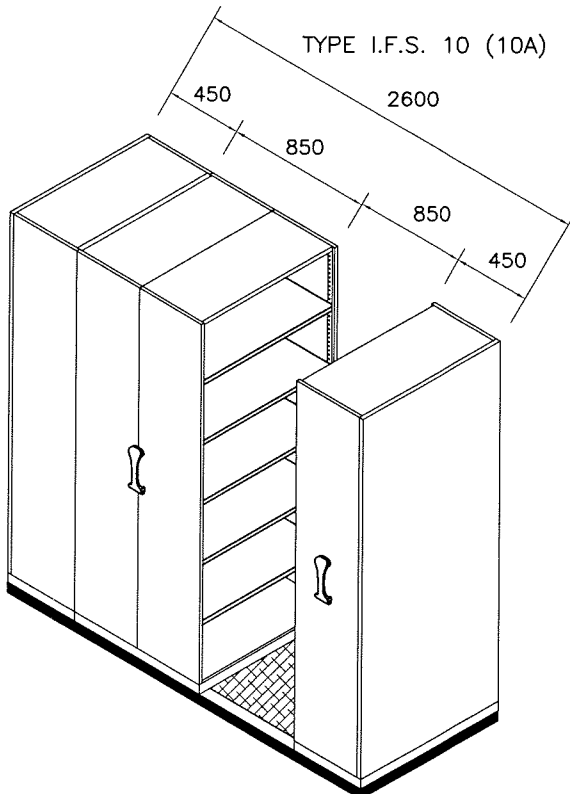
HS2820/2  
HS2840/2

4200 x 2.1 x 900 x COM SLT  
4200 x 2.1 x 1.2 x COM SLT

HS2920/2  
HS2940/2

BOARD REQUIRED

900mm  
2x 2079mm x 787mm  
  
1200mm  
2x 2079mm x 1087mm



TYPE I.F.S. 10 (10A)

2600 x 1.8 x 900 x 400  
2600 x 1.8 x 1.2 x 400

HS3120/2  
HS3140/2

2600 x 2.1 x 900 x 400  
2600 x 2.1 x 1.2 x 400

HS3170/2  
HS3190/2

2600 x 1.8 x 900 x 400 SLT  
2600 x 1.8 x 1.2 x 400 SLT

HS3220/2  
HS3240/2

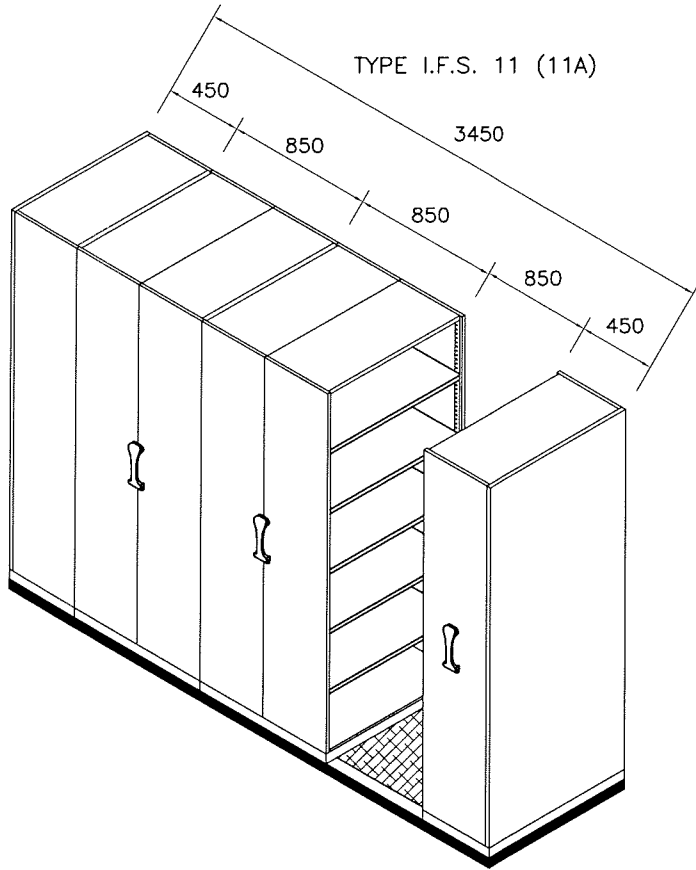
2600 x 2.1 x 900 x 400 SLT  
2600 x 2.1 x 1.2 x 400 SLT

HS3320/2  
HS3340/2

BOARD REQUIRED

900mm  
1x 2558mm x 787mm  
  
1200mm  
1x 2558mm x 1087mm

I.F.S. SYSTEMS



TYPE I.F.S. 11 (11A)

3450 x 1.8 x 900 x 400  
3450 x 1.8 x 1.2 x 400

HS3420/2  
HS3440/2

3450 x 2.1 x 900 x 400  
3450 x 2.1 x 1.2 x 400

HS3470/2  
HS3490/2

3450 x 1.8 x 900 x 400 SLT  
3450 x 1.8 x 1.2 x 400 SLT

HS3520/2  
HS3540/2

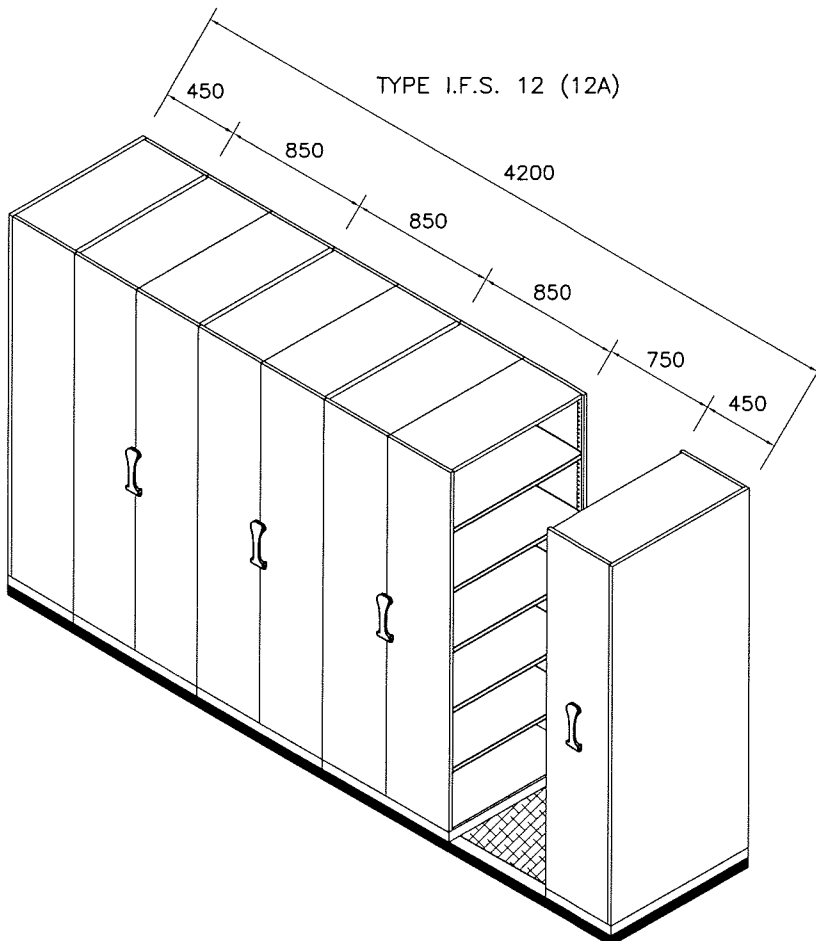
3450 x 2.1 x 900 x 400 SLT  
3450 x 2.1 x 1.2 x 400 SLT

HS3620/2  
HS3640/2

BOARD REQUIRED

900mm  
1x 3408mm x 787mm

1200mm  
1x 3408mm x 1087mm



TYPE I.F.S. 12 (12A)

4200 x 1.8 x 900 x 400  
4200 x 1.8 x 1.2 x 400

HS3720/2  
HS3740/2

4200 x 2.1 x 900 x 400  
4200 x 2.1 x 1.2 x 400

HS3770/2  
HS3790/2

4200 x 1.8 x 900 x 400 SLT  
4200 x 1.8 x 1.2 x 400 SLT

HS3820/2  
HS3840/2

4200 x 2.1 x 900 x 400 SLT  
4200 x 2.1 x 1.2 x 400 SLT

HS3920/2  
HS3940/2

BOARD REQUIRED

900mm  
2x 2079mm x 787mm

1200mm  
2x 2079mm x 1087mm