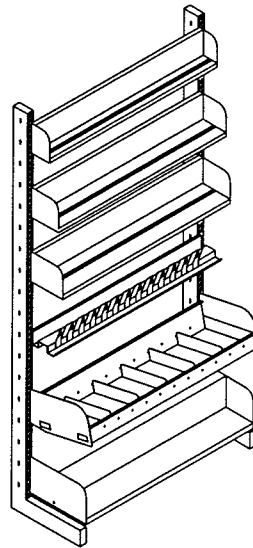
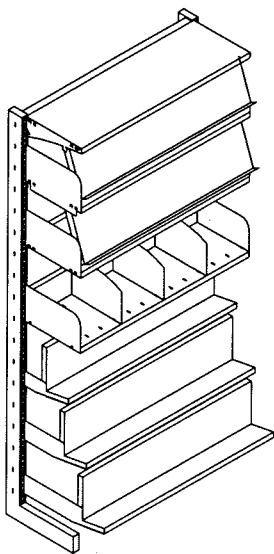


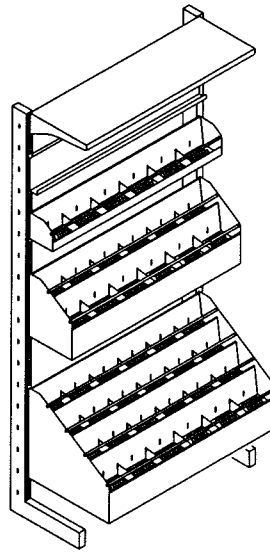
CANOPY SHELF
 3 TIER MAGAZINE DISPLAY
 MAGAZINE BRACKETS
 AV BAG RAIL
 CLEARVIEW SHELF
 225mm CANOPY BRACKETS
 BROWSER BIN (C/W RODS)
 300mm OVERSLUNG BRACKETS
 OPTIONAL SLIDE OUT



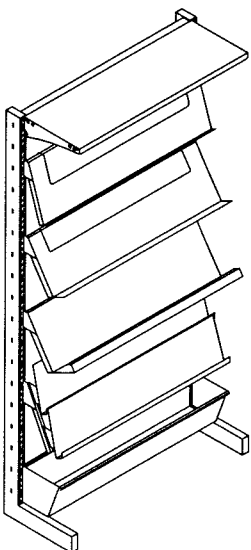
CASSETTE SHELF 900 x 75
 CD SHELF 900 x 125
 CD/AV SHELF 900 x 150
 DVD PRESENTATION SHELF
 LOW PROFILE UPTILT
 BROWSER BIN 250mm
 C/W 5 DIVIDERS
 ML 150 BASE UPTILT
 VIDEO BRACKETS



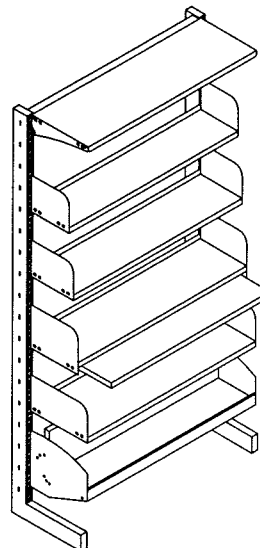
CANOPY
 UNDERSLUNG PERIODICAL SHELF
 ML3 UTB BENEATH
 OVERSLUNG PERIODICAL SHELF
 ML3 UTB BENEATH
 SLOTTED SHELF (ML3P)
 WITH DIVIDERS
 LIB. REAR UPSTAND. LIB.
 SHELF END PLATES
 3 TIER PAPERBACK SYSTEM.
 PAPER BACK BRACKETS



CANOPY SHELF
 AV REAR DISPLAY PANEL
 AV SHELF MK2 (PERF) 5 DIVIDERS
 AV WATERFALL 2 TIER MK2
 (5 DIVIDERS PER TIER) SET
 AV WATERFALL 4 TIER MK2
 (5 DIVIDERS PER TIER) SET

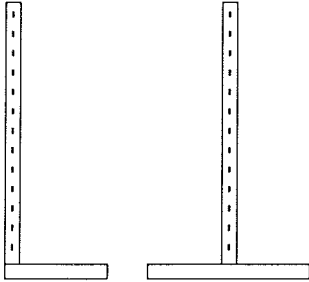
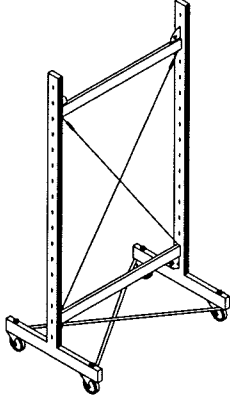
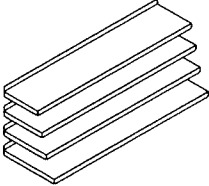
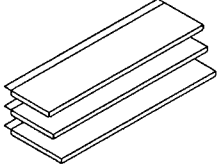
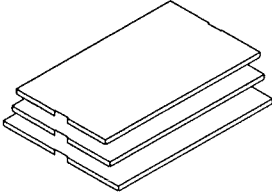
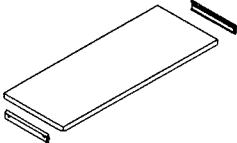
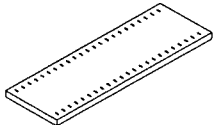


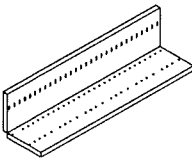
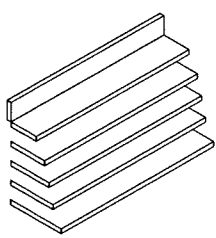
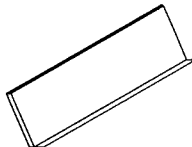
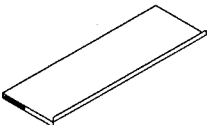
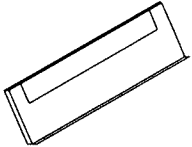
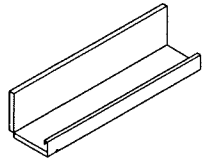
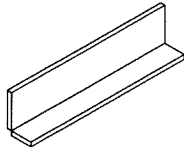
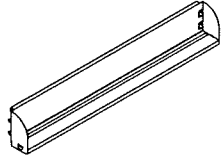
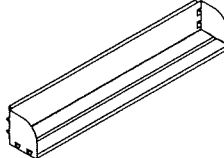
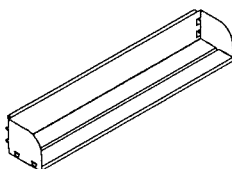
CANOPY SHELF
 PAMPHLET SHELF 25mm UTF SET
 15-60° BRACKETS
 PAMPHLET SHELF 50mm UTF SET
 45° BRACKETS
 SERIAL SHELF 100mm UTF
 45° BRACKETS
 2 TIER MAGAZINE DISPLAY
 ON 2 TIER BRACKETS
 BOOK TUB

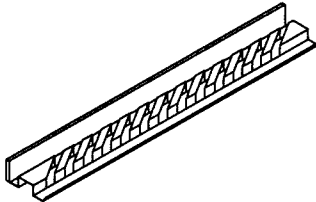
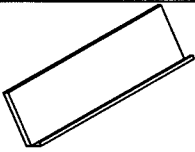
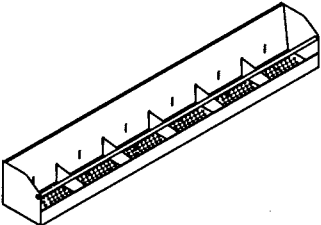
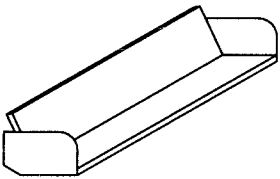
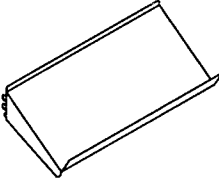
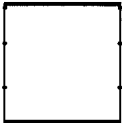
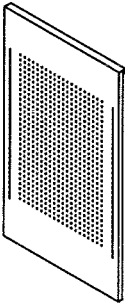
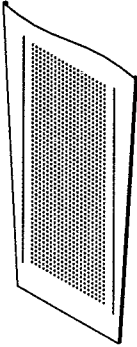


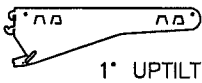
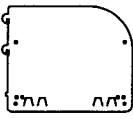
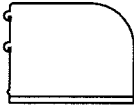

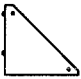
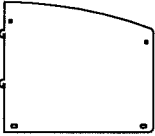
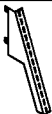

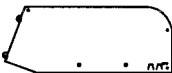
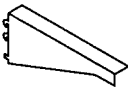
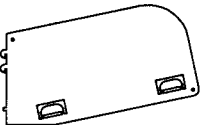
CANOPY SHELF
 ML2 UTB
 ML225 UTB
 ML250 UTB
 (WITH REFERENCE BRACKETS,
 OPTIONAL)
 ML3 UTB
 LIBRARY UPTILT SHELF 50mm UTF
 (0° - 10° - 20°)
 ON
 LIBRARY UPTILT END PLATES

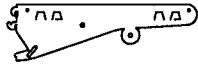
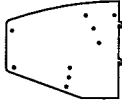
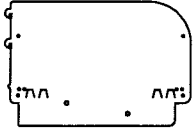
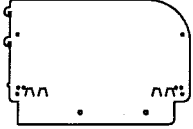
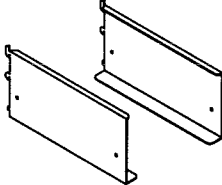
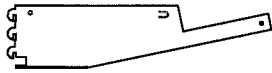

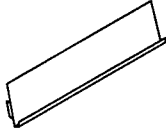
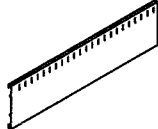
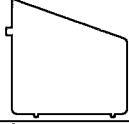
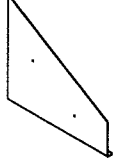
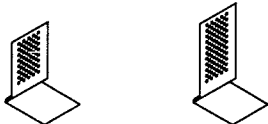
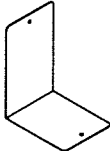
SPECIFICATIONS AND DESIGNS MAY ALTER WITHOUT NOTICE
 STANDARD FINISH OFF WHITE POWDER COATING

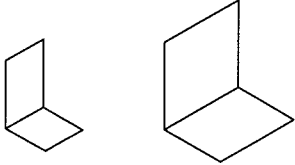
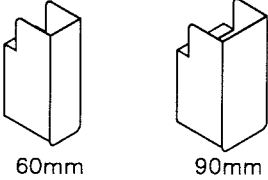


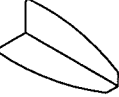
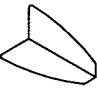
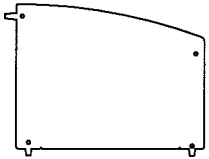
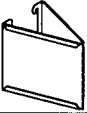

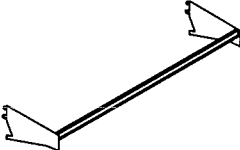
	DESCRIPTION	DIMENSIONS	PART NUMBER	
			SINGLE FACED	DOUBLE FACED
	LIBRARY UPRIGHT SINGLE OR DOUBLE FACED	0.775 x 300mm 0.875 x 300mm 0.975 x 300mm 1.075 x 300mm 1.175 x 300mm 1.275 x 300mm 1.375 x 300mm 1.475 x 300mm 1.575 x 300mm 1.675 x 300mm 1.775 x 300mm 1.875 x 300mm 1.975 x 300mm 2.075 x 300mm 2.175 x 300mm 2.275 x 300mm 2.375 x 300mm	515030 - 2 515090 - 2 515150 - 2 515210 - 2 515270 - 2 515330 - 2 515390 - 2 515450 - 2 515510 - 2 515570 - 2 515630 - 2 515690 - 2 515750 - 2 515810 - 2 515870 - 2 515930 - 2 515980 - 2	516030 - 2 516090 - 2 516150 - 2 516210 - 2 516270 - 2 516330 - 2 516390 - 2 516450 - 2 516510 - 2 516570 - 2 516630 - 2 516690 - 2 516750 - 2 516810 - 2 516870 - 2 516930 - 2 516980 - 2
	LIBRARY ROLLAWAY	1.175 x 300mm STARTER 1.175 x 300mm EXTENS 1.275 x 300mm STARTER 1.275 x 300mm EXTENS 1.375 x 300mm STARTER 1.375 x 300mm EXTENS 1.475 x 300mm STARTER 1.475 x 300mm EXTENS 1.575 x 300mm STARTER 1.575 x 300mm EXTENS		518100 - 2 518150 - 2 518300 - 2 518310 - 2 518170 - 2 518190 - 2 518340 - 2 518350 - 2 518200 - 2 518250 - 2
	BOOK SHELVES 25mm UPTURNED BACK	900mm x 200mm 900mm x 225mm 900mm x 250mm 900mm x 300mm	520120 520122 520190 520192 520250 520252 520340 520342	
	CANOPY SHELVES 40mm BACK SPACER SINGLE SIDED	900mm x 225mm 900mm x 250mm 900mm x 300mm	520200 520202 520260 520262 520350 520352	
	CANOPY SHELVES DOUBLE SIDED	900mm x 225mm (524) 900mm x 250mm (574) 900mm x 300mm (674)	520570 520572 520580 520582 520590 520592	
	REFERENCE SHELF (SET)	900mm x 250mm (524) 250mm EXTENSION 900mm x 300mm (524) 250mm EXTENSION	520280 520282 520370 520372	
	SLOTTED SHELF	900mm x 300mm 900mm x 250mm	520430 520432 520310 520312	

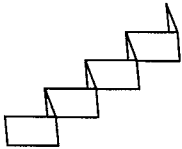
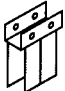

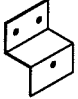
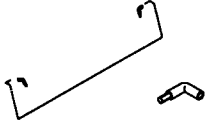

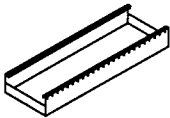
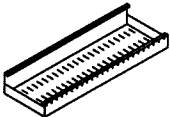
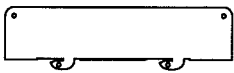

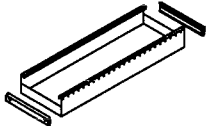
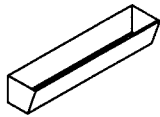
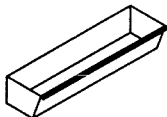
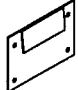


	DESCRIPTION	DIMENSIONS	PART NUMBER
	CLEARVIEW SHELF	900mm x 200mm x 200mm	520140 520142
	BASE UPTILT SHELF	900mm x 150mm x 100mm 900mm x 200mm x 100mm 900mm x 225mm x 100mm 900mm x 250mm x 100mm 900mm x 300mm x 100mm	520100 520102 520150 520152 520210 520212 520270 520272 520360 520362
	LIBRARY SHELF 60mm UPTURNED FRONT	900mm x 250mm 900mm x 300mm 900mm x 300mm (PAMPHLET OPTION)	520300 520302 520390 520392 520880 (SET) 520882 (SET)
	PERIODICAL SHELF (ML3UTB (PERIODICAL))	900mm x 300mm 900mm x 300mm (POLYCARBONATE)	520420 520422 587200
	PAMPHLET SHELF 25mm UPTURNED FRONT	900mm x 300mm	520860 SET 520862 SET
	LIBRARY UPTILT SHELF 50mm UPTURNED FRONT	900mm x 200mm x 200mm	520910 520912
	PAPERBACK SHELF	900mm x 115mm x 195mm	521800 521802
	CASSETTE SHELF	900mm x 75mm x 120mm	520820 520822
	CD SHELF	900mm x 125mm x 120mm	520840 520842
	CD/AV SHELF	900mm x 150mm x 120mm	520680 520682

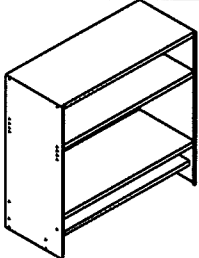
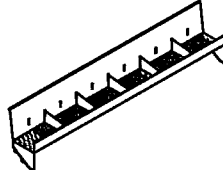
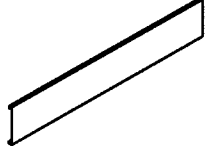
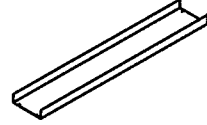
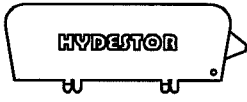
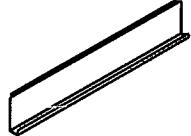
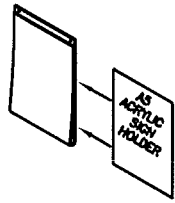
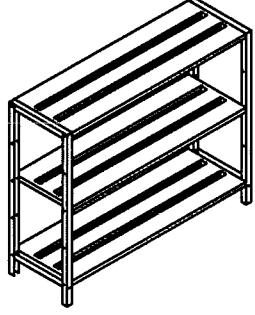
	DESCRIPTION	DIMENSIONS	PART NUMBER
	DVD PRESENTATION SHELF	600mm x 130mm 900mm x 130mm	521920 521922 520920 520922
	SERIAL SHELF 100mm UPTURNED FRONT	900mm x 300mm	520440 520442
	A V SHELF SET MK2 DIVIDERS NOT INCLUDED REFER PART #	600mm x 120mm x 40mm 900mm x 120mm x 40mm	521220 521222 520940 520942 588280 588282
	BOOK BUS SHELF (WELDED UPTILT)	900mm x 200mm 900mm x 250mm	520720 520722 520740 520742
	LIBRARY 60° END SHELF	503mm x 250mm UTF 603mm x 250mm UTF 503mm x 300mm UTF 603mm x 300mm UTF	521970 521972 521950 521952 521980 521982 521960 521962
	LIBRARY BACK PANEL	1.675m x 900mm (875) 1.875m x 900mm (875)	530550 530552 530670 530672
	LIBRARY PERF END PANEL D/F	HEIGHTS 975mm - 1875mm	PART # SERIES 533540 - 533710
	LIBRARY PERF HARP END PANEL D/F	1375mm x 300mm 1475mm x 300mm 1575mm x 300mm	534200 534202 534220 534222 534230 534232

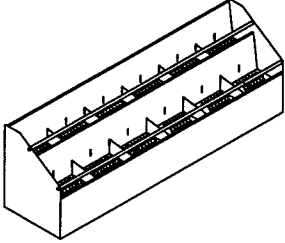
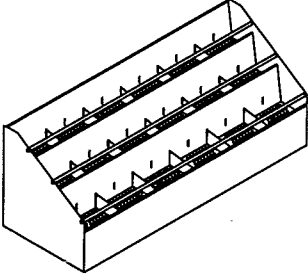
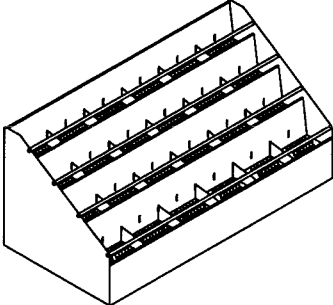
	DESCRIPTION	DIMENSIONS	PART NUMBER
 <p>1° UPTILT</p>	CANOPY BRACKET	225mm	540010 540012
		250mm (225mm IN LIEU)	540010 540012
		300mm	540030 540032
		375mm	540070 540072
 <p>1° UPTILT</p>	OVERSLUNG BRACKET DUAL LUGGED	200mm	541090 541092
		225mm	541110 541112
		250mm	541120 541122
		300mm	541130 541132
 <p>1° UPTILT</p>	OVERSLUNG FOLDED BRACKET LH/RH.	250mm	LH 541260 RH 541270 LH 541262 RH 541272
		300mm	LH 541290 RH 541300 LH 541292 RH 541302
	QUADRANT BRACKET 15 - 60°	119mm x 120mm	540190 540192
	SLOPING BRACKET 45°	225mm 250mm 300mm (250mm IN LIEU)	540150 540152 540170 540172 540170 540172
	LIBRARY SHELF END PLATE	300mm x 225mm 250mm x 225mm	542200 542202 542190 542192
	2 TIER MAG BRACKET (PAIRS) 60°	350mm	542160 542162
	3 TIER MAG BRACKET (PAIRS) 60°	500mm	542170 542172
 <p>20° UPTILT</p>	BASE UPTILT BRACKETS	150mm	541550 541552
		200mm	541560 541562
		225mm	541570 541572
		250mm	541580 541582
		300mm	541590 541592
	TIMBER CANOPY BRACKET (LH / RH.)	250mm	LH 541400 RH 541410 LH 541402 RH 541420
		300mm	LH 541430 RH 541440 LH 541432 RH 541442
	BROWSER BIN UPTILT BRACKET 12°	200mm 250mm 300mm	542300 542302 542320 542322 542340 542342

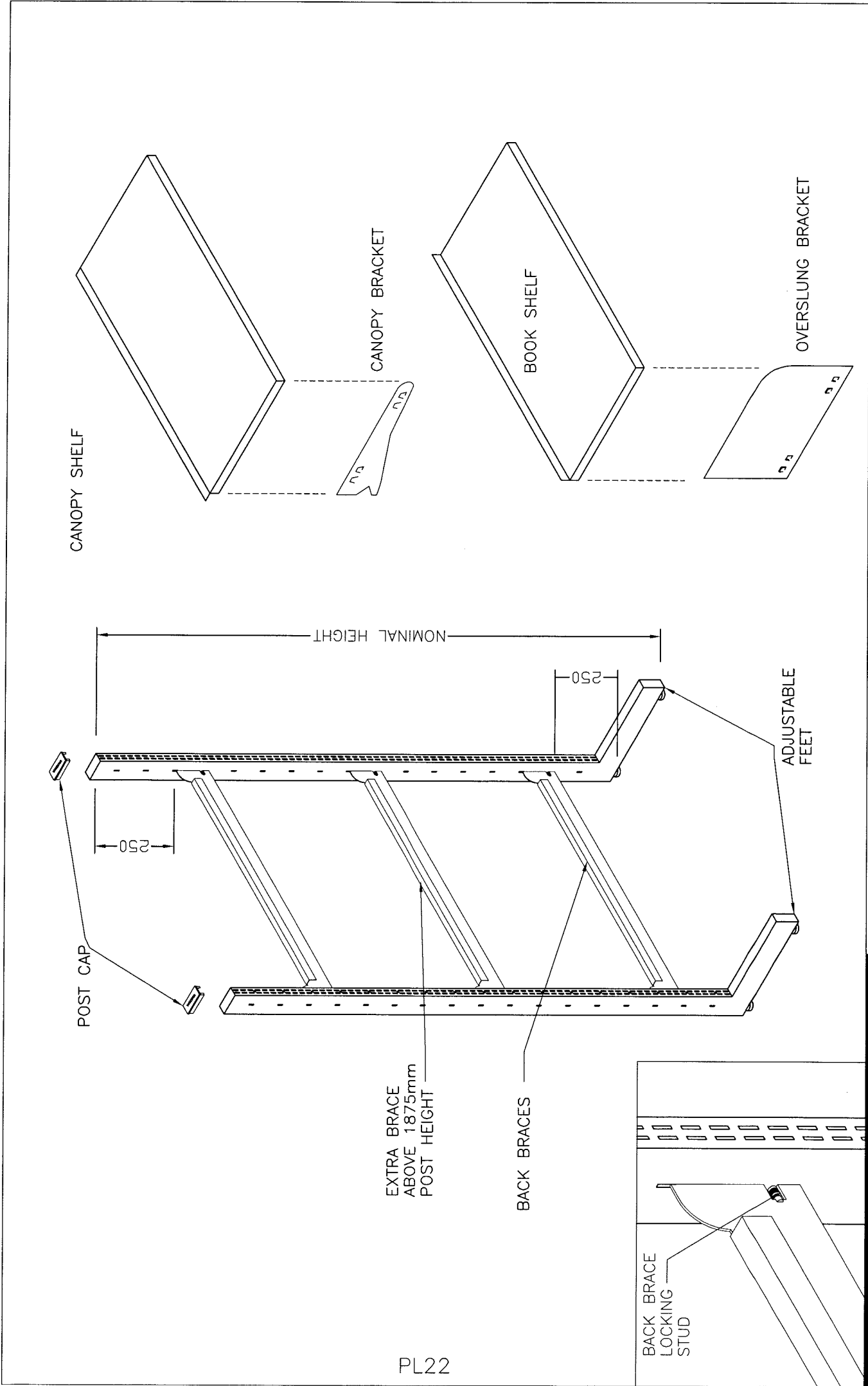
	DESCRIPTION	DIMENSIONS	PART NUMBER
	PERIODICAL BRACKET (UNDERSLUNG— PAIRS)	300mm	540130 540132
	LIBRARY UPTILT END PLATES	300mm x 263mm	542130 542132
	PERIODICAL BRACKET (OVERSLUNG— PAIRS)	300mm	542100 542102
	REFERENCE BRACKET (OVERSLUNG— PAIRS)	250mm 300mm	542050 542052 542070 542072
	SLIDE OUT BROWSER BRACKETS (PAIRS)	300mm	542250 542252
	PAPERBACK BRACKET	200mm UPTILT 12° 250mm UPTILT 12° 300mm UPTILT 12° 350mm UPTILT 12° 420mm UPTILT 20°	540210/2 540230/2 540250/2 540272 540292
	PINBOARD BRACKET	170mm	585223
	MAGAZINE TRAY	900mm x 231mm x 50mm 900mm x 231mm x 70mm	584690 584692 584710 (BASE ONLY 584712 OPTION)
	SHELF REAR UPSTAND	900mm x 225mm	584810 584812
	CLEARVIEW DIVIDER (ACRYLIC)	245mm x 225mm	587030
	A V WATERFALL END PLATES	300mm (2 TIER) 600mm (4 TIER)	588180 588182 588200 588202
	ROYALE BOOK ENDS (SETS)	170mm x 120mm x 110mm 220mm x 120mm x 110mm	584280 584282 584320 584322
	EXPORT BOOK ENDS	177mm x 119mm x 135mm 202mm x 144mm x 135mm 227mm x 169mm x 135mm 230mm x 230mm x 230mm	584500 584502 584530 584532 584560 584562 584570 584572

	DESCRIPTION	DIMENSIONS	PART NUMBER
	BOOK SUPPORTS	177mm x 119mm x 135mm 202mm x 144mm x 135mm 227mm x 169mm x 135mm 230mm x 230mm x 230mm	584500 584502 584530 584532 584560 584562 584570 584572
 <p>60mm 90mm</p>	LIBRARY INDEX mk2	190mm x 60mm x 130mm 190mm x 90mm x 130mm	584600 584602 584610 584612
	BOOKLET DISPLAY STAND	223mm x 195mm x 42mm	584590 584592
	KICKPLATE	900mm x 75mm	584070 584072
	SERIAL SHELF DIVIDER	275mm x 90mm x 90mm	584840 584842
	UPTILT SHELF DIVIDER	200mm (195mm)	584850 584852
	LIBRARY SHELF DIVIDER	300mm x 225mm 250mm x 225mm	584830 584832 584820 584822
	RANGE CARD HOLDER TYPE A	150mm x 120mm x 80mm	584860 584862
	END PANEL RANGE CARD HOLDER TYPE A ADAPTER BRACKET	135mm x 74mm	584900 584902
	A V BAG RAIL	900mm x 170mm	584120 584122

	DESCRIPTION	DIMENSIONS	PART NUMBER
	ZIG-ZAG SUPPORT	900mm x 150mm	586990 586992
	TOPTIE INSERT	TO SUIT 25mm x 25mm TUBE	584150 584152
	LIB. POST WALL FIX BRACKET		585140 585142
	LIBRARY BRACE REAR FIXING BRACKET	40mm x 50mm	587280 587282
	PAMPHLET SHELF RAIL	800mm	CHROME 587460
	PAMPHLET SHELF BRACKET		CHROME 587470
	ROYALE BOOK END GROMMET	CLEAR	587130 587132
	BROWSER BIN	900mm x 250mm x 120mm	585600 585602
		900mm x 300mm x 120mm	585610 585612
		600mm x 250mm x 120mm	585660 585662
		600mm x 300mm x 120mm	585670 585672
	BROWSER BIN LOW PROFILE SLOTTED	900mm x 200mm x 60mm	585620 585622
		900mm x 250mm x 60mm	585630 585632
		900mm x 300mm x 60mm	585640 585642
		600mm x 200mm x 60mm	585680 585682
		600mm x 250mm x 60mm	585690 585692
		600mm x 300mm x 60mm	585700 585702
	BROWSER BIN FREESTANDING DIVIDER	200mm x 60mm	584920 584922
		250mm x 60mm	584940 584942
		300mm x 60mm	584960 584962
	BROWSER BIN RODS	200mm C/W NUT S/S	587210
		250mm C/W NUT S/S	587230
		300mm C/W NUT S/S	587220
	SLIDE OUT BROWSER BIN (SET)	900mm x 300mm x 120mm 330mm EXTENSION	585180 (SET) 585182 (SET)
	LIBRARY RECORD TUB	900mm x 200mm x 170mm	584210 584212
	LIBRARY BOOK TUB	900mm x 250mm x 170mm	584240 584242
		600mm x 250mm x 170mm	584230 584232
	WOODEN END PANEL TOP FIXING BRACKET	108mm x 80mm	585240 585242
	WOODEN END PANEL BOTTOM FIXING BRACKET	50mm x 66mm x 33mm	585250 585252
	LIBRARY WALL BRACKET	56mm x 25mm	585260 585262

	DESCRIPTION	DIMENSIONS	PART NUMBER
	LIBRARY CARREL SET	900mm x 900mm x 375mm	585400 585402
	LIBRARY STAND UP CARREL SET	900mm x 600mm x 375mm	585380 585382
	A V WATERFALL TRAY DIVIDERS NOT INCLUDED SEE BELOW	900mm x 120mm	588270 588272
	A V WATERFALL FACIA	900mm x 154mm	588400 588402
	A V WATERFALL BRACE	900mm x 120mm	588360 588362
	A V WATERFALL DIVIDER CLEAR POLYCARBONATE	118mm x 40mm	588280
	A V REAR DISPLAY PANEL	900mm x 150mm	588320 588322
	A5 ACRYLIC SIGN HOLDER	237mm x 155mm	587490
	SCHOOL BAG RACK SETS	HEIGHT x WIDTH x DEPTH 1.0m x 1.2m x 390mm STARTER	585480 585482
		1.0m x 1.2m x 390mm ADD ON	585500 585502

	DESCRIPTION	DIMENSIONS	PART NUMBER
	A V WATERFALL 2 TIER SET MK2	900mm x 300mm	588600 588602
	A V WATERFALL 3 TIER SET MK2	900mm x 450mm	588630 588632
	A V WATERFALL 4 TIER SET MK2	900mm x 600mm	588650 588652



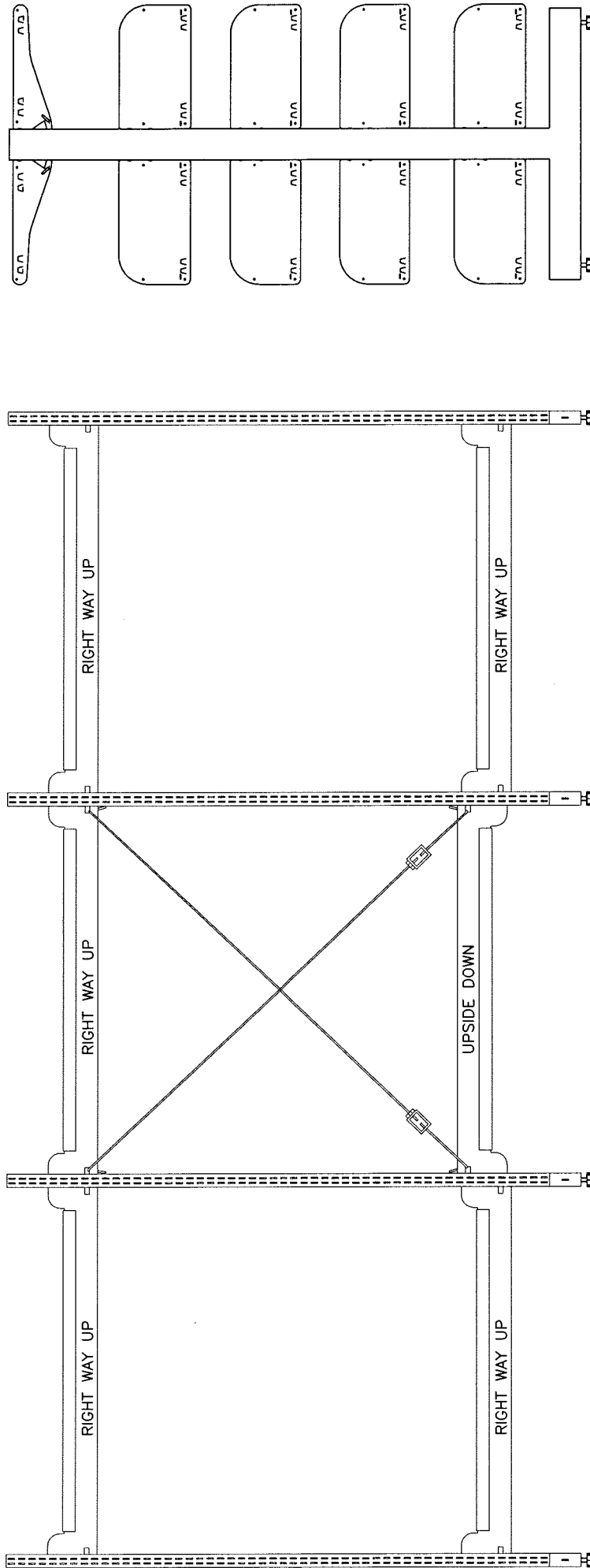
PL22

HYDESTOR LIBRARY SHELVING ASSEMBLY DETAIL

HYDESTOR MANUFACTURING LTD

MANUFACTURERS AND SUPPLIERS OF STEEL SHELVING SYSTEMS
 CHRISTCHURCH
 WELLINGTON

DRAWN	ORIGINAL	CHECKED	DATE	SCALE	SHEET	SERIES OF	SUPERSEDES	SUPERSEDED BY	REFERENCE No
MARCUS			7/5/04	N.T.S	1	1			PL22



PL23

PROPOSAL FOR: HYDESTOR LIBRARY SHELVING SEISMIC BRACING

HYDESTOR MANUFACTURING LTD

MANUFACTURERS AND SUPPLIERS OF STEEL SHELVING SYSTEMS
CHRISTCHURCH
WELLINGTON

DRAWN
MARCUS

ORIGINAL

CHECKED

DATE
7/5/04

SCALE
N.T.S.

SHEET

1

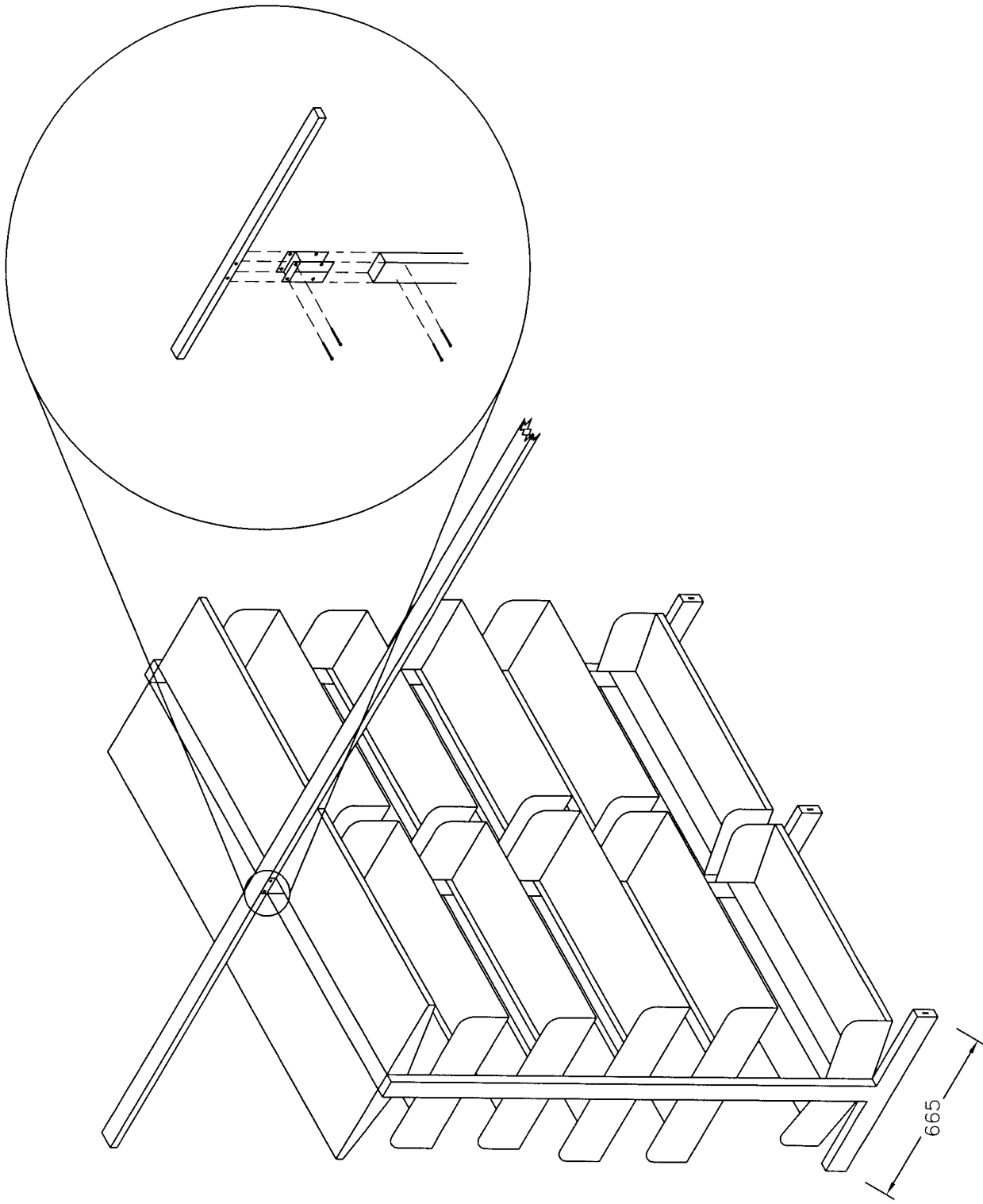
SERIES OF

1

SUPERSEDES

SUPERSEDED BY

REFERENCE No
PL23



PL24

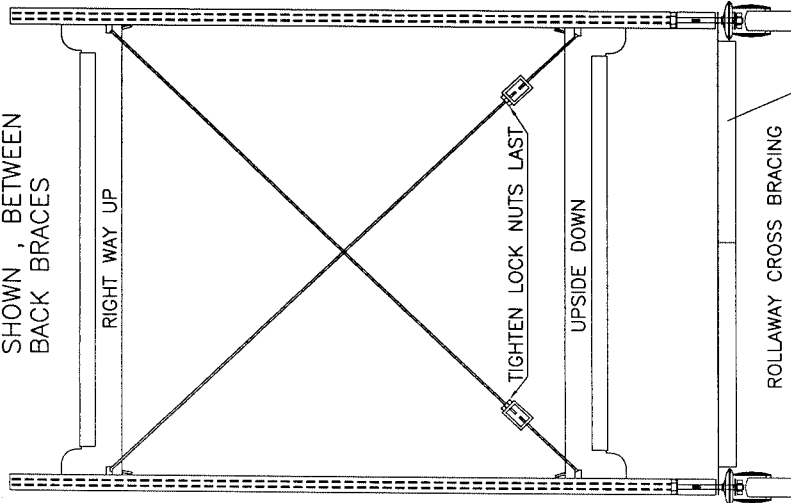
HYDESTOR LIBRARY SHELVING – TYPICAL TOP TIE FIXING METHOD

HYDESTOR MANUFACTURING LTD

MANUFACTURERS AND SUPPLIERS OF STEEL SHELVING SYSTEMS AUCKLAND	CHRISTCHURCH	DRAWN W.H.	ORIGINAL A3	CHECKED	DATE 7/5/04	SCALE 1 : 25	SHEET 1	SERIES OF 1	SUPERSEDES	SUPERSEDED BY	REFERENCE No PL24
---	--------------	---------------	----------------	---------	----------------	-----------------	------------	----------------	------------	---------------	----------------------

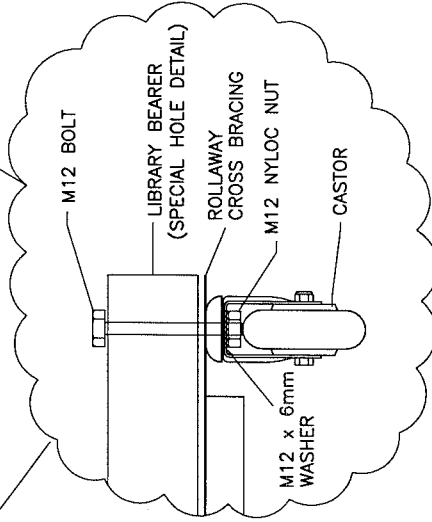
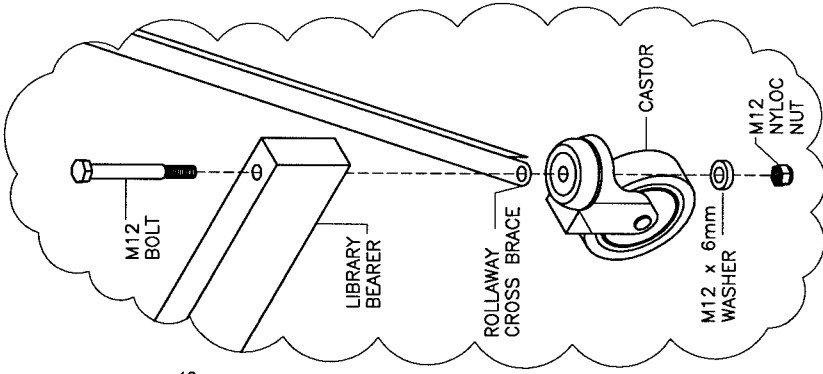
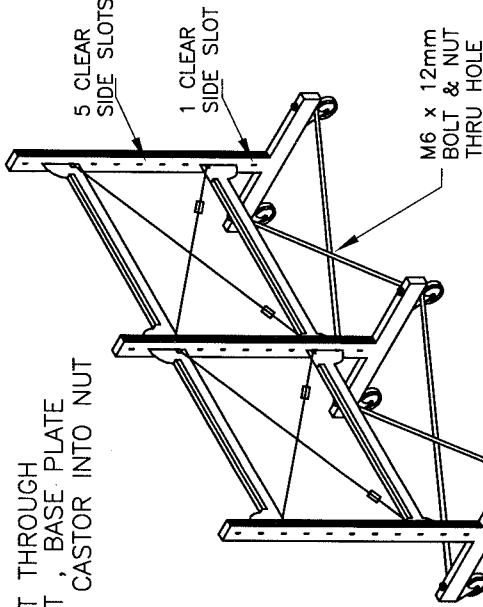
STAGE 1

FIT ROD BRACING AS SHOWN, BETWEEN BACK BRACES



STAGE 2

BOLT THROUGH FOOT, BASE PLATE AND CASTOR INTO NUT



PROPOSAL FOR: LIBRARY ROLLAWAY SHELVING ASSEMBLY

HYDESTOR MANUFACTURING LTD

MANUFACTURERS AND SUPPLIERS OF STEEL SHELVING SYSTEMS
CHRISTCHURCH WELLINGTON

DRAWN	CHECKED	DATE	SCALE	SHEET	SERIES OF	SUPERSEDES	SUPERSEDED BY	REFERENCE No
JASON	CP	6/5/08	N.T.S.	1	1			PL25

ROLLAWAY ASSEMBLY INSTRUCTIONS

- Assemble the Posts and back braces without the castors. Remember the back braces are located with a single sided slot showing at the bottom of the Post. (with 5 clear side slots showing between the braces).
- Fit the bracing rods and turnbuckles and apply mild tension, (ensuring the back brace hooks are fully engaged in the slots), only enough to stop the bottom brace from dropping down and disengaging, at this stage.
- Now set the unit onto one side, exposing the post feet to accept the bolts, cross braces & castors. Remember to include the 2nd set of X braces onto the extension bay, if you are building a two bay unit. Thread on the M12 nyloc nut and M12 x 6.0mm washer then tighten up with the use of two ring spanners to suit.
- Place a bolt & nut in the intersecting slots provided in the cross braces to square up the unit.
- Stand the completed unit upright and hand tighten the turnbuckles on the bracing rods, ensuring even pressure to keep the units square. Do not over tighten, otherwise the castors will lift off the ground.
- Fit the shelves on the corresponding brackets as required.

PL26

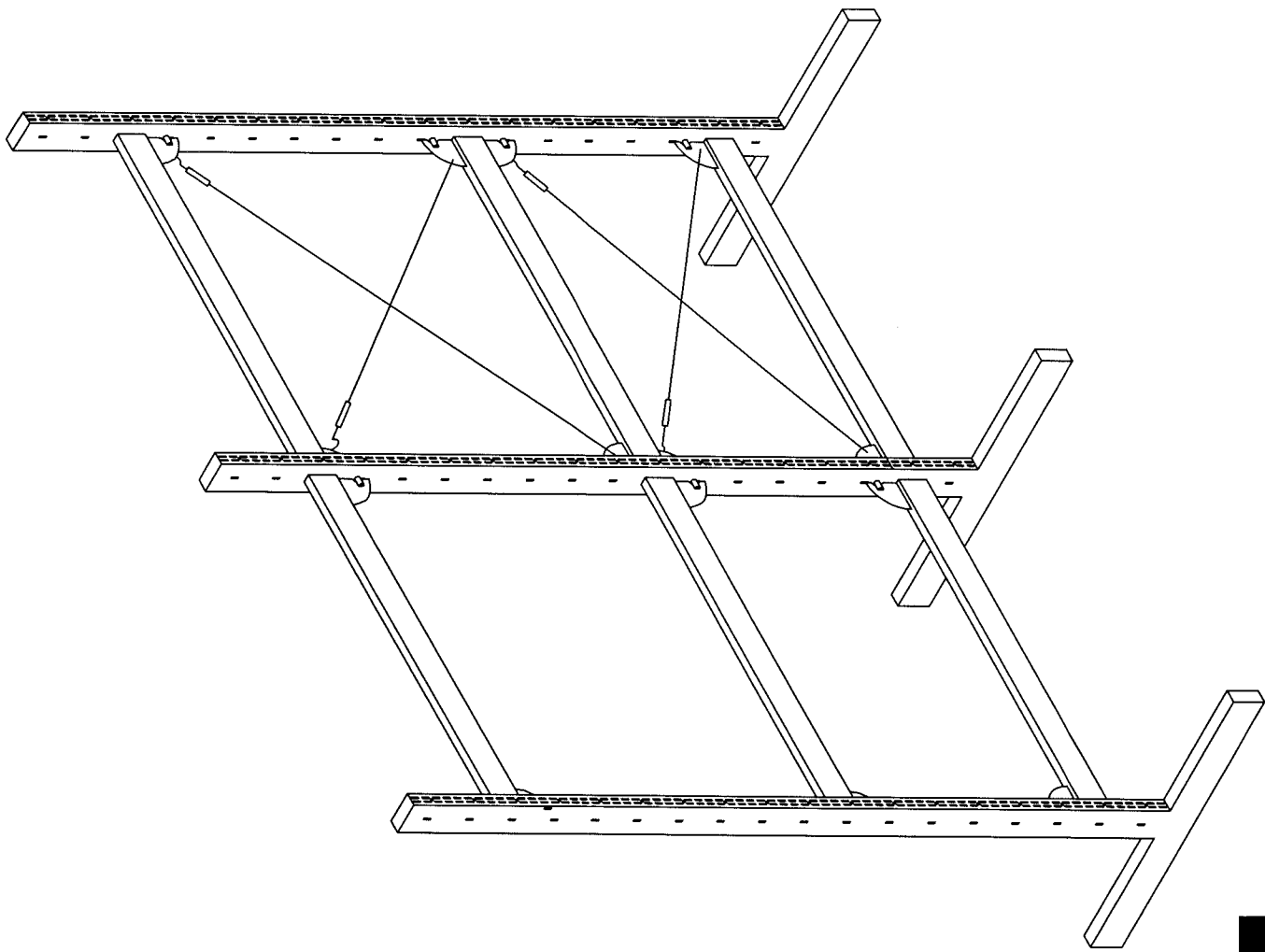
© COPYRIGHT
2003

HYPESTOR MANUFACTURING LTD

MANUFACTURERS AND SUPPLIERS OF STEEL SHELVING SYSTEMS
AUCKLAND CHRISTCHURCH WELLINGTON

PROPOSAL FOR: LIBRARY ROLLAWAY SHELVING ASSEMBLY

DRAWN JASON	ORIGINAL	CHECKED CP	DATE 7/5/04	SCALE N.T.S.	SHEET 1	SERIES OF 1	SUPERSEDES	SUPERSEDED BY	REFERENCE No PL26
----------------	----------	---------------	----------------	-----------------	------------	----------------	------------	---------------	----------------------



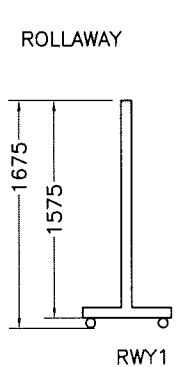
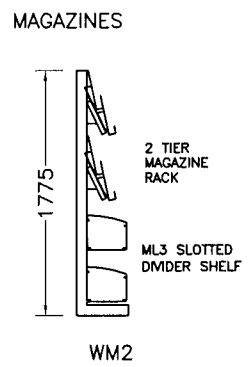
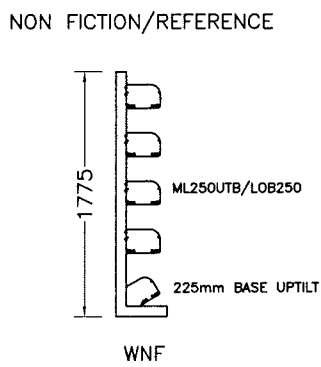
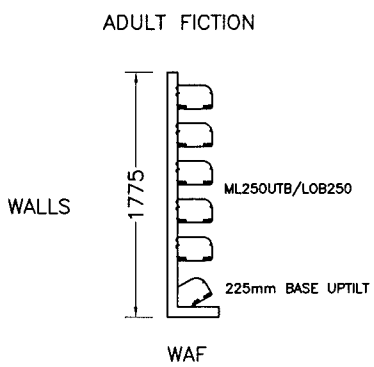
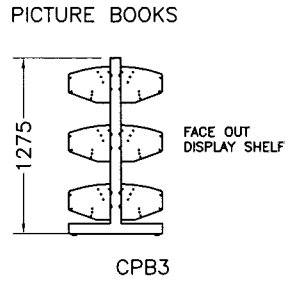
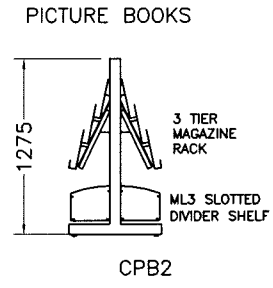
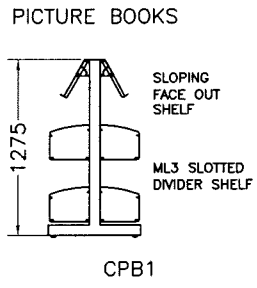
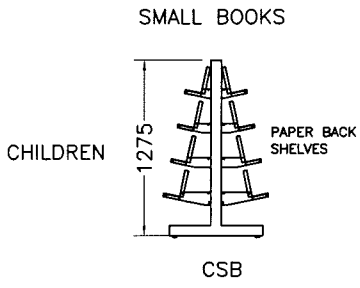
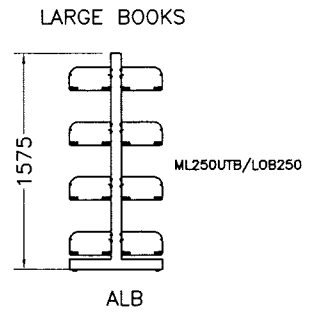
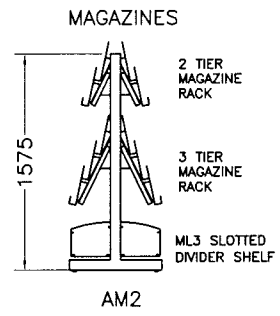
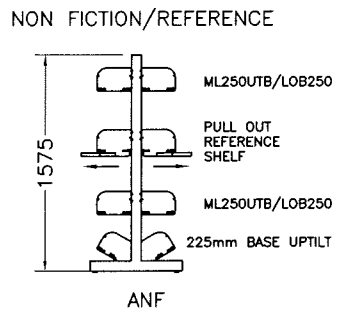
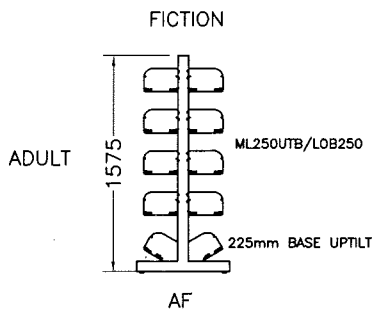
PL27

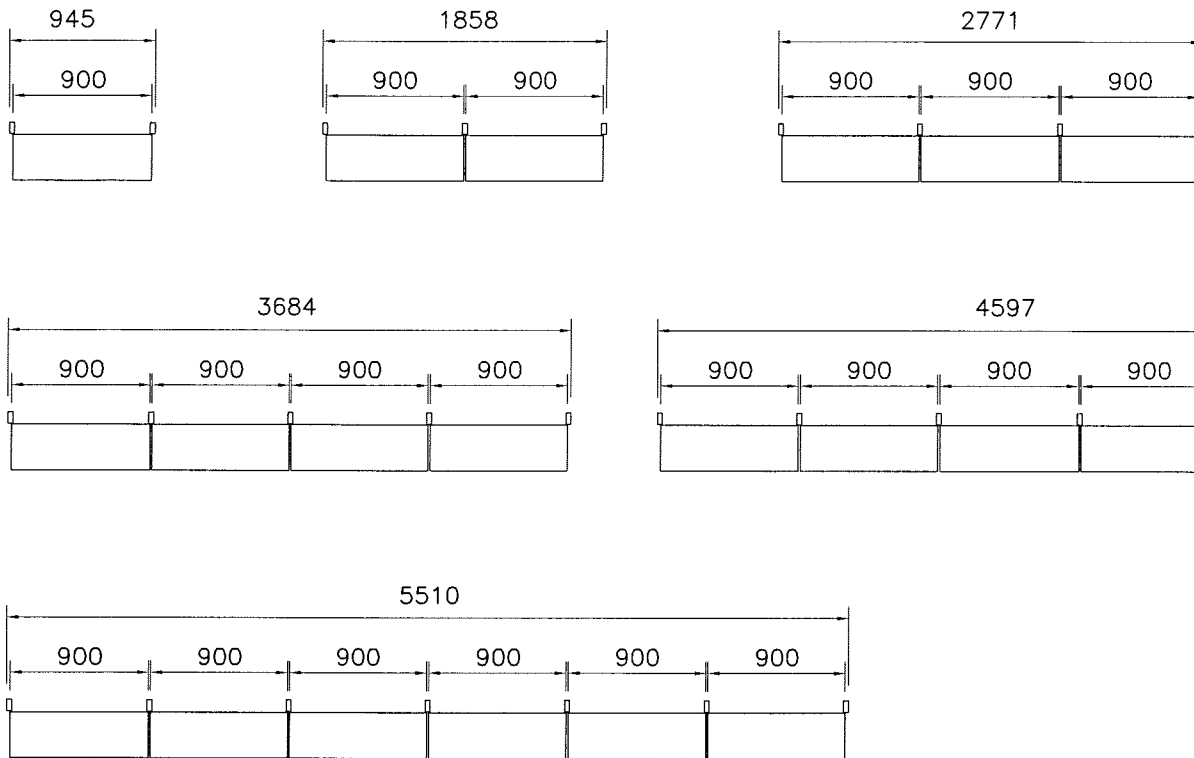
HYDESTOR MANUFACTURING LTD

MANUFACTURERS AND SUPPLIERS OF STEEL SHELVING SYSTEMS
AUCKLAND CHRISTCHURCH WELLINGTON

HYDESTOR LIBRARY SHELVING – TYPICAL SEISMIC BRACING ABOVE 1875mm

DRAWN W.H.	ORIGINAL A3	CHECKED	DATE 7/5/04	SCALE 1 : 25	SHEET 1	SERIES OF 1	SUPERSEDES	SUPERSEDED BY PL27
---------------	----------------	---------	----------------	-----------------	------------	----------------	------------	-----------------------





OTHER CONFIGURATIONS (BOOK SHELVES)

